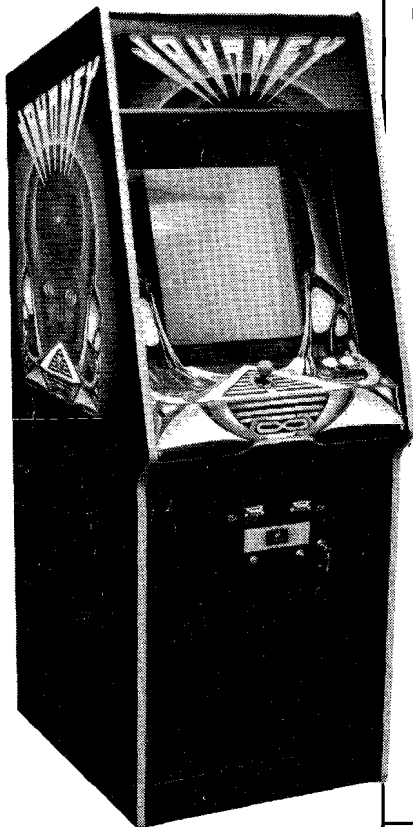
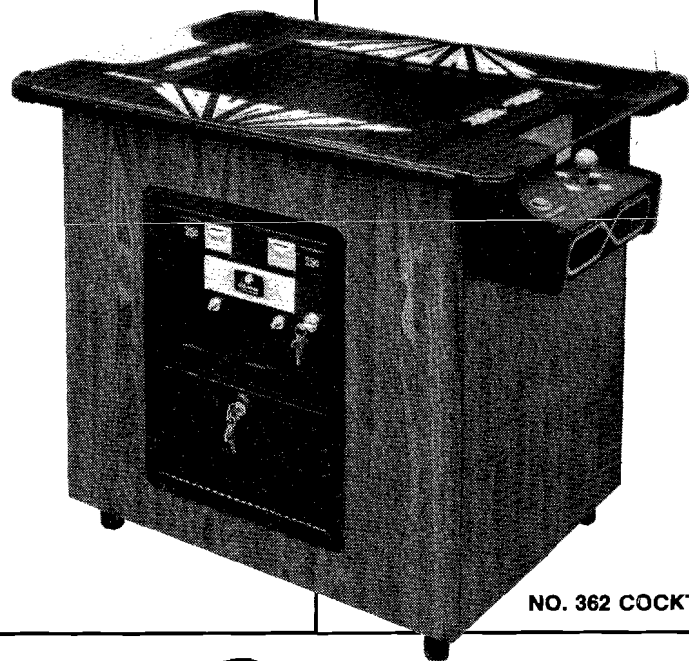


**Parts and  
Operating Manual**



NO. 358 UPRIGHT



NO. 362 COCKTAIL

*Bally*

MIDWAY MFG. CO.

10601 W. Belmont Avenue  
Franklin Park, Illinois 60131  
U.S.A.



Phone: (312) 451-9200    Cable Address: MIDCO    Telex No.: 72-1596

**WARNING**

**THIS GAME MUST BE GROUNDED. FAILURE TO DO SO MAY RESULT IN DESTRUCTION TO ELECTRONIC COMPONENTS.**

**WARNING:** This equipment generates, uses, and can radiate radio frequency energy and if not used in accordance with the instructions manual, may cause interference to radio communications. It has been tested and found to comply with the limits for a CLASS A computing device pursuant to SUBPART J of PART 15 of FCC RULES, which are designed to provide reasonable protection against such interference when operated in a commercial environment. Operation of this equipment in a residential area is likely to cause interference in which case the user at his own expense will be required to take whatever measures may be required to correct the interference.

ELECTRICAL BULLETIN: FOR ALL APPARATUS COVERED BY THE CANADIAN STANDARDS ASSOCIATION (CSA) STANDARD C22.2 NO. 1, WHICH EMPLOYS A SUPPLY CORD TERMINATED WITH A POLARIZED 2-PRONG ATTACHMENT PLUG.

CAUTION: TO PREVENT ELECTRIC SHOCK DO NOT USE THIS (POLARIZED) PLUG WITH AN EXTENSION CORD, RECEPTACLE OR OTHER OUTLET UNLESS THE BLADES CAN BE FULLY INSERTED TO PREVENT BLADE EXPOSURE.

ATTENTION: POUR PREVENIR CHOCS ELECTRIQUES NE PAS UTILISER CETTE FICHE POLARISEE AVEC UN PROLONGATEUR, UNE PRISE DE COURANT OU UNE AUTRE SORTIE DE COURANT, SAUF SI LES LAMES PEUVENT ETRE INSEREES A FOND SANS EN LAISSER AUCUNE PARTIE A DECOUVERT.

***Bally* | **MIDWAY****  
T.M.

*Invites You To Use*

**OUR TOLL FREE NUMBERS FOR  
SERVICE INFORMATION CONCERNING THIS GAME, OR ANY  
OTHER BALLY/MIDWAY™ GAME YOU NOW HAVE ON LOCATION.**

**CALL US FOR PROMPT, COURTEOUS  
ANSWERS TO YOUR PROBLEMS.**

**Continental U.S. 800-323-7182  
Illinois Only 1-800-942-0497**

© COPYRIGHT MCMLXXXIII BY BALLY/MIDWAY CO. ALL RIGHTS RESERVED.

NO PART OF THIS PUBLICATION MAY BE REPRODUCED BY ANY MECHANICAL, PHOTOGRAPHIC, OR ELECTRONIC PROCESS, OR IN THE FORM OF A PHONOGRAPHIC RECORDING, NOR MAY IT BE TRANSMITTED, OR OTHERWISE COPIED FOR PUBLIC OR PRIVATE USE, WITHOUT PERMISSION FROM THE PUBLISHER. THIS MANUAL IS FOR SERVICE USE ONLY, AND NOT FOR GENERAL DISTRIBUTION. FOR PERMISSION REQUESTS, WRITE: MIDWAY MFG. CO., 10750 W. GRAND AVE., FRANKLIN PARK, IL 60131

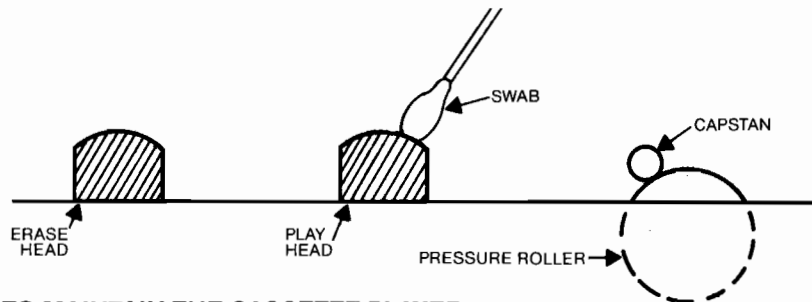
Printed in U.S.A.

## TABLE OF CONTENTS

| DESCRIPTION   | PAGE |
|---|------|
| <b>I. Game Operation</b>  |      |
| Attract Mode .....  | 1-1  |
| Ready-To-Play Mode .....  | 1-3  |
| Play Mode .....   | 1-4  |
| Two Player Operation .....  | 1-6  |
| <br>  |      |
| <b>II. Illustrated Parts Breakdown</b>                                    |      |
| No. 358 - Journey Upright - Front .....                                   | 2-2  |
| No. 358 - Journey Upright - Front Parts List .....                        | 2-3  |
| No. 358 - Journey Upright - Rear Access .....                             | 2-4  |
| No. 358 - Journey Upright - Rear Access Parts List .....                  | 2-5  |
| Journey - Control Assembly - All Versions Parts List .....                | 2-6  |
| Journey - Control Assembly - All Versions .....                           | 2-7  |
| No. 362 - Journey Cocktail - Front .....                                  | 2-8  |
| No. 362 - Journey Cocktail - Front - Parts List .....                     | 2-9  |
| No. 362 - Journey Cocktail - Interior Access .....                        | 2-10 |
| No. 362 - Journey Cocktail - Interior Access - Parts List .....           | 2-11 |
| Journey - Header Fluorescent Fixture Assy. ....                           | 2-13 |
| Journey - Header Fluorescent Fixture Assy. - Parts List .....             | 2-13 |
| Journey - Power Chassis Assy. - 125VA., 115V. ....                        | 2-14 |
| Journey - Power Chassis Assy. - 125VA., 115V. - Parts List .....          | 2-15 |
| Journey - Front Door Assy. - U.S.A. 25¢ .....                             | 2-16 |
| Journey - Front Door Assy. - U.S.A. 25¢ - Parts List .....                | 2-17 |
| <br>  |      |
| <b>III. Schematics and Wiring Diagrams</b>                                |      |
| Wiring Diagram - Upright & Cocktail .....                                 | 3-3  |
| Dual Power Amp. with Cassette Interface - P.C.B. - Component Layout ..... | 3-4  |
| Dual Power Amp. with Cassette Interface - P.C.B. - Schematic .....        | 3-5  |
| Super Video Generator - P.C.B. - Component Layout .....                   | 3-6  |
| Super Video Generator - P.C.B. - Schematic .....                          | 3-7  |
| Super CPU MCRIII - P.C.B. - Component Layout .....                        | 3-8  |
| Super CPU MCRIII - P.C.B. - Schematic .....                               | 3-9  |
| Super Sound I/O - P.C.B. - Component Layout .....                         | 3-10 |
| Super Sound I/O - P.C.B. - Schematic .....                                | 3-11 |
| 125VA. - Power Supply Board - Component Layout .....                      | 3-12 |
| 125VA. - Power Supply Board - Schematic .....                             | 3-13 |
| 125VA. - Power Chassis - Upright & Cocktail - Schematic .....             | 3-14 |

## **CASSETTE PLAYER MAINTENANCE**

PERIODIC CLEANING OF THE HEADS, CAPSTAN, AND PRESSURE ROLLER IS NECESSARY FOR GOOD SOUND QUALITY. (BUILD-UP OF IRON OXIDE PARTICLES WILL CAUSE DISTORTED SOUND.)



### **TO MAINTAIN THE CASSETTE PLAYER:**

1. REMOVE THE TOP FRONT CLAMPING BRACKET (4 SCREWS).
2. EJECT THE CASSETTE BY PRESSING THE "STOP-EJECT" BUTTON TWICE.
3. CLEAN THE HEADS, CAPSTAN, AND PRESSURE ROLLER WITH A SMALL COTTON SWAB THAT HAS BEEN DIPPED IN HEAD CLEANER SOLUTION OR ALCOHOL. AS AN ALTERNATE, A HEAD CLEANER CASSETTE TAPE MAY ALSO BE USED. HEAD CLEANING TAPES AND SOLUTIONS ARE AVAILABLE IN LOCAL RECORD SHOPS.

**CAUTION:** NEVER USE ANY METAL OBJECT ON OR NEAR THE HEADS. DO NOT ALLOW ANY CLEANING MATERIAL TO FALL INTO THE PLAYER'S MECHANISM.

4. DO NOT ADJUST THE VOLUME CONTROL—IT HAS BEEN SET AT THE FACTORY.
5. REPLACE THE CASSETTE. HEED THE WARNING LABEL. THE CASSETTE MUST BE PLACED INTO THE CASSETTE COMPARTMENT WITH THE BALLY-MIDWAY IDENTIFICATION LABEL SIDE UP. IT WILL NOT WORK IF INSERTED INTO THE CASSETTE COMPARTMENT UP-SIDE-DOWN.
6. PRESS THE PLAY BUTTON (MARKED ►) UNTIL IT STAYS LATCHED IN THE DOWN POSITION.
7. IF PLAYER WAS REMOVED FROM CABINET, BE SURE TO RECONNECT THE EXTERNAL POWER AND SPEAKER JACKS TO THE SAME RECEPTACLES FROM WHICH YOU REMOVED THEM.
8. REINSTALL THE CLAMPING BRACKET (4 SCREWS).

**NOTE:** THE TAPE PLAYER MUST ALWAYS BE OPERATED IN THE HORIZONTAL POSITION ONLY!!

M051-00358-A 013

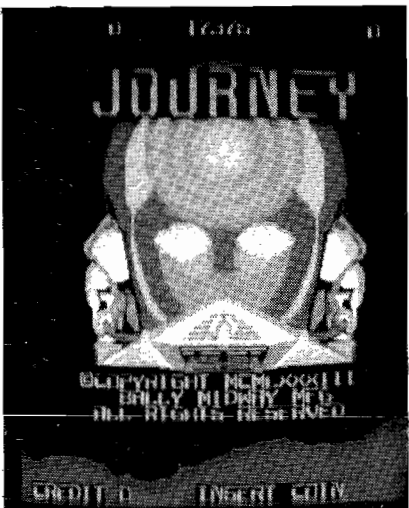
# Journey

## I. Game Operation

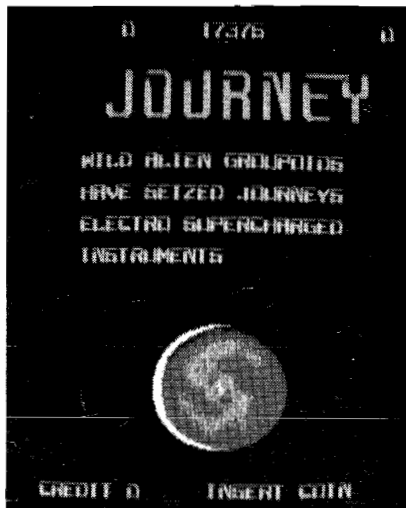
### ATTRACT MODE

1. The Attract mode starts:

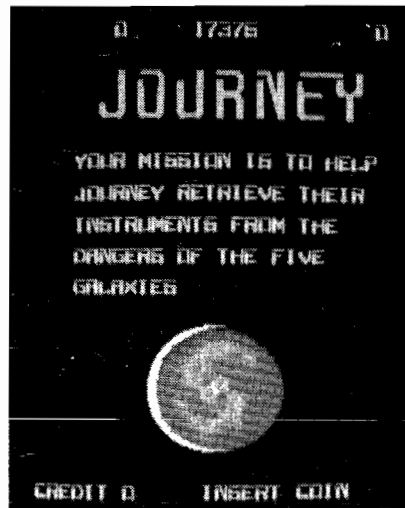
- Just after power has been turned on to the game. (Self-Test switch is in the "OFF" position.
- After a Self-Test has been completed and there are no more credits left in the games memory.
- After a play has been finished, the score was not high enough to put the game into the High Score/Initial mode, and there are no more credits left in the games memory.
- After the High Score/Initial mode when there are no more credits left in its memory.
- In the Attract mode, the game will give the following displays **centered** on the monitor screen:



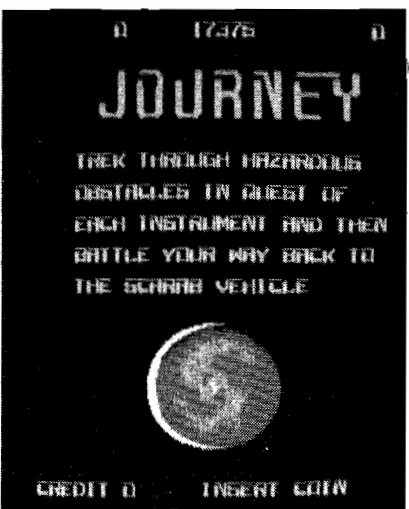
Attract Mode Display 1



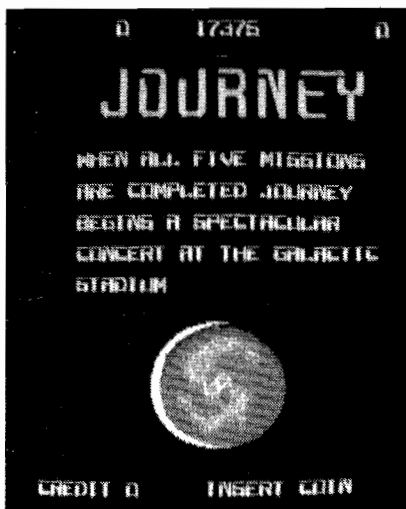
Attract Mode Display 2



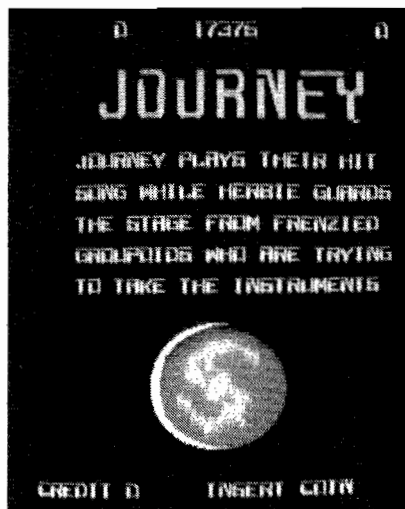
Attract Mode Display 3



Attract Mode Display 4



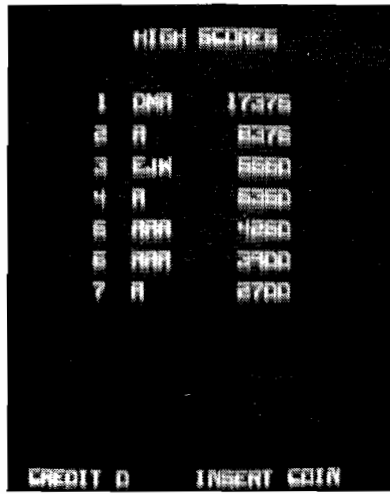
Attract Mode Display 5



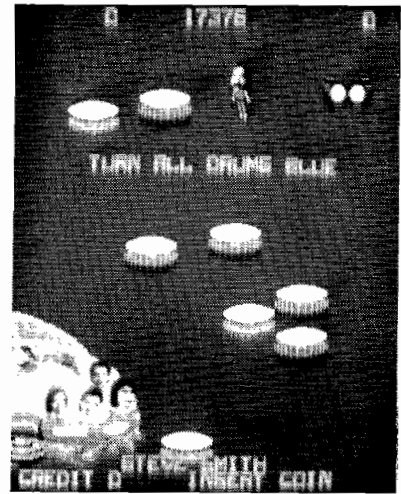
Attract Mode Display 6



Attract Mode Display 7



Attract Mode Display 8



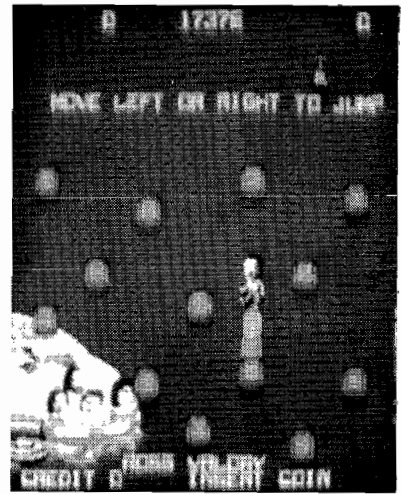
Attract Mode Display 9



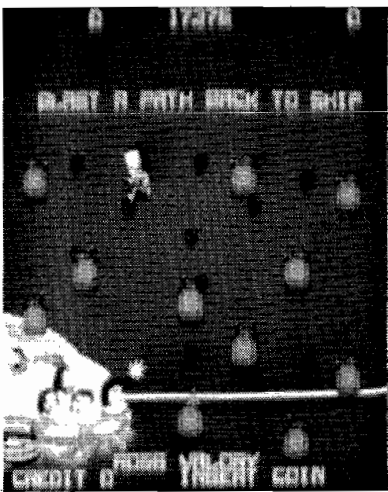
Attract Mode Display 10



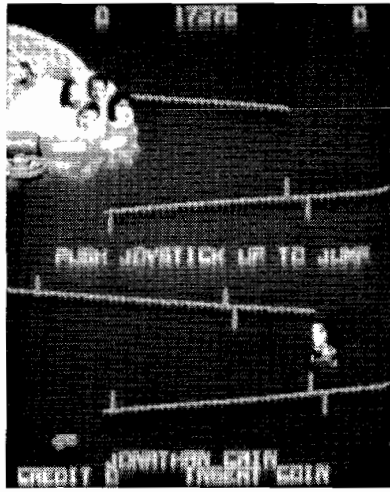
Attract Mode Display 11



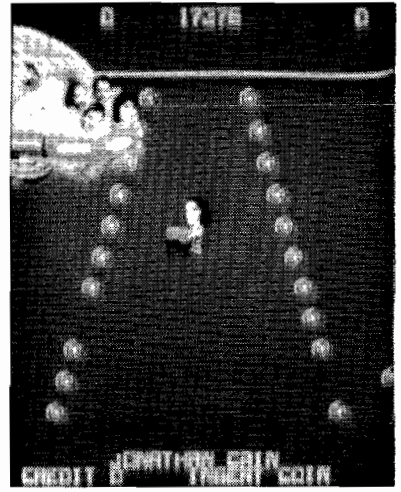
Attract Mode Display 12



Attract Mode Display 13



Attract Mode Display 14



Attract Mode Display 15





Attract Mode Display 16

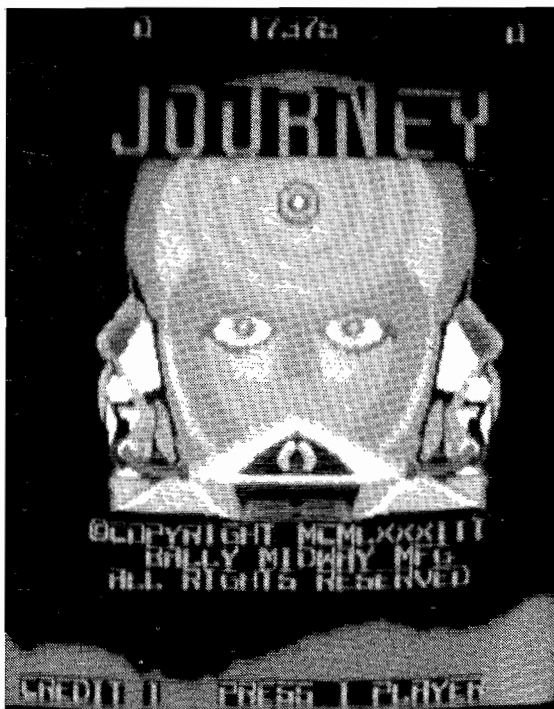


Attract Mode Display 17

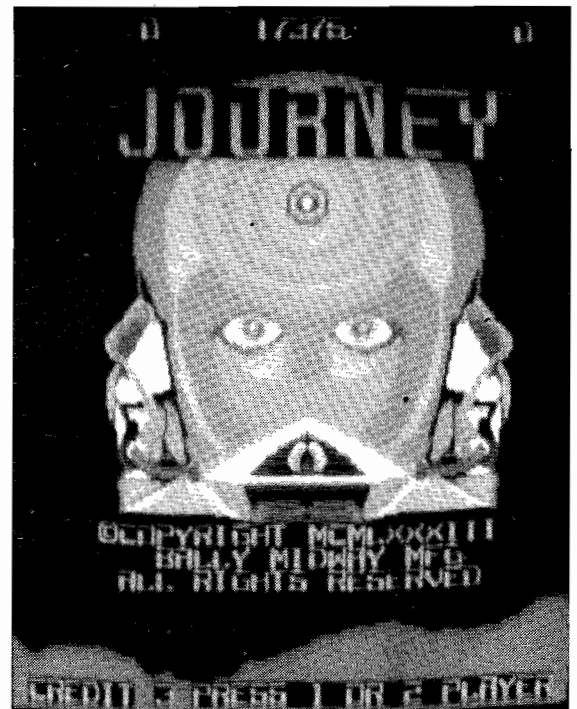
- No matter where the game is in the Attract mode sequence, it will immediately add the words "CREDIT \_\_\_" and "PRESS 1 OR 2 PLAYER" or "PRESS 1 OR 2 PLAYER" to the bottom of this display and all other displays in the Attract mode sequence. These words will remain at the bottom of these displays in the Attract mode sequence until the "1 PLAYER" or the "2 PLAYER" start button is pressed.

## READY-TO-PLAY MODE

1. The Ready-To-Play mode starts when enough coins have been accepted for a 1 or a 2 player game.
2. The Ready-To-Play mode ends when either the "1 PLAYER" or "2 PLAYER" push button is pressed.
3. In the Ready-To-Play mode, the game will give the below modified displays **centered** on the monitor screen:
4. If no START button is pressed, the displays will remain modified indefinitely as shown below.



Ready-To-Play Mode 1



Ready-To-Play Mode 2

## PLAY MODE

1. The Play mode begins when either the "1 PLAYER" or the "2 PLAYER" START button is pressed.
2. The Play mode ends when all of your performers have been eliminated. When this happens, "GAME OVER" is written across the center of the monitor screen.
3. **ON THE SCREEN:** The game is made up of groups of 5 sequences for each rack. When play begins, all the performers run onto the screen and jump aboard their transport ship. The transport ship then lifts off and heads for a point in space that is at the center of a grouping of five planets. Each group members instrument is on a different planet.

At the beginning of each sequence, when a "2 PLAYER" game has been selected, the game tells which player is up.

Also indicated in each sequence of each rack is the number of players (1 or 2), a running total of the players score(s), and the highest game score to date.

4. **PLAY BEGINS:** From this point, the player has approximately 10 seconds to decide which planet he wants to take the transport ship to (which performers instrument he wants to retrieve). The transport ship is guided to the planet of your choice by using the control stick to direct its movement.
5. **OBSTACLES:** On each planet there are various obstacles that must be overcome in order for that particular performer to retrieve his instrument and make his way back to the transport ship.

**1st PLANET:** The performer must pass between the turnstiles without touching them, get his instrument, and shoot his way back to the transport ship.

**2nd PLANET:** Here the performer must leap onto the elevating pedestals, timing his ascent to grab his instrument as it passes by him at the top of the screen, and shoot his way back to the transport ship.

**3rd PLANET:** Here, the performer must leap the moving conveyor belt ridges without being touched to reach his instrument and then must shoot his way back to the transport ship.

**4th PLANET:** With his jet pack, the performer must traverse the dangerous passages in this cavern to finally retrieve his instrument and then fight his way back to the transport ship.

**5th PLANET:** The performer must jump from drum-head to drum-head, landing on all of them at least once in order to reach his instrument.

He then must shoot his way back to the transport ship.

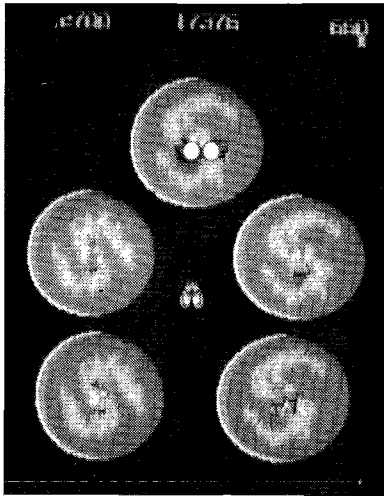
6. **PERFORMERS:** When on each of the five planets, the performers movements are controlled by the control stick on the games control panel. They can basically move in any direction.
7. **ALL INSTRUMENTS RETRIEVED:** All the performers now move to a stage and give a performance of their latest hit blockbuster. They will play as long as the bouncer (controlled by the player) can keep the excited fans from overrunning the stage. When this happens, play starts all over again in the next rack which will be more difficult to complete. The performers all have to retrieve their instruments again.
8. **SEQUENCES:** Play ends in any particular sequence when one of 3 things happens.
  - a. The performer has a mishap and falls to the bottom of the screen.
  - b. The performer retrieves his instrument and shoots his way back to the transport ship.
  - c. The excited fans storm the stage (play advances to the next rack of 5 sequences).
9. **MISHAP:** Play will begin again (if you have reserve performers left) in space, all performers are in the transport ship, and the player has approximately 10 seconds to pick the next planet he wants to try.

**NOTE:** You **cannot** pick a planet where the performer has already retrieved his instrument. These planets are indicated to the player by a wavy white ring around them.

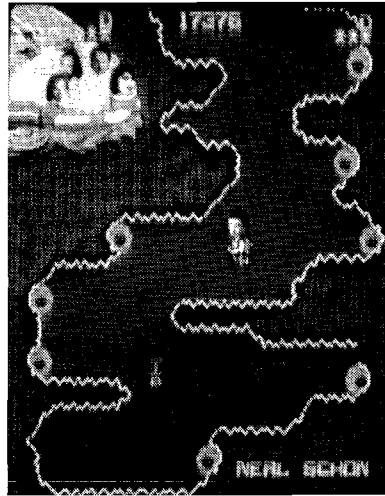
If there are no more reserve performers left, "GAME OVER" is written across the screen.

10. **TRANSPORT SHIP:** Your **ship** can move in **any direction** on the screen. Its movements are controlled by the control stick on the games control panel.
11. **FIRE CONTROL BUTTONS:** These control the rate of fire of your performer in; either left, right, up, or down directions (certain performers can only fire in certain directions). There are two fire control buttons on the Upright models to allow both left and right handed persons to play the game easily.
12. **CONTROL STICK:** By using the control stick you can position the transport ship/performer at any location you desire on the screen.
13. **BONUS PERFORMERS:** These can be awarded to the player as he reaches or passes certain preselected point values. This feature is adjustable by the games Owner/Operator.
14. **GAME ENDS:** When your last performer is eliminated. "GAME OVER" is written across the monitor screen.

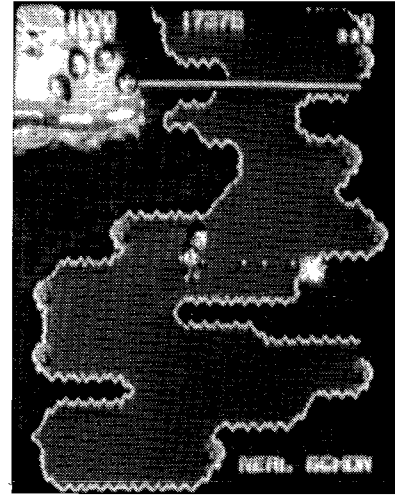




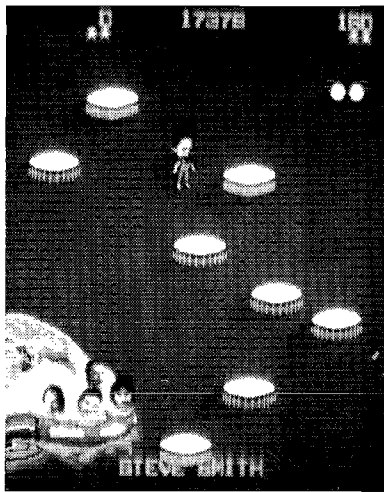
**Play Mode Display 1**



**Play Mode Display 2**



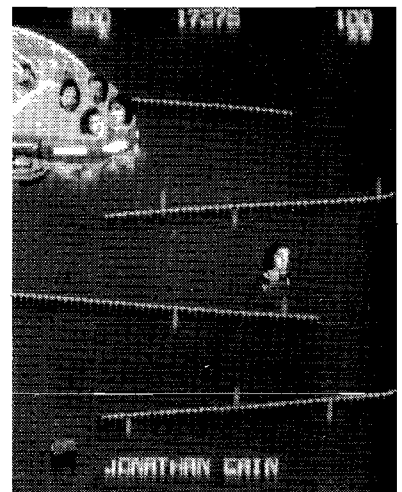
**Play Mode Display 3**



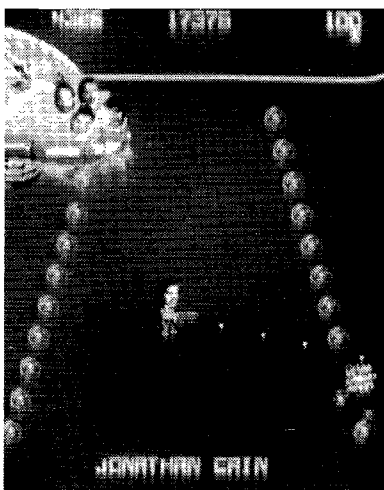
**Play Mode Display 4**



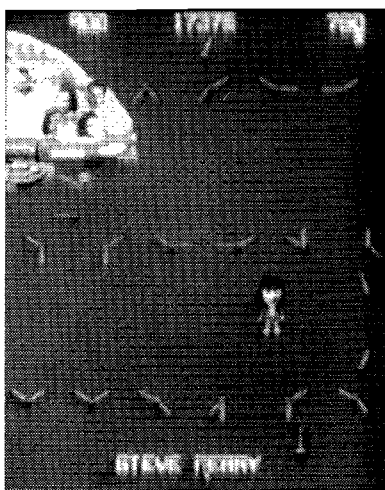
**Play Mode Display 5**



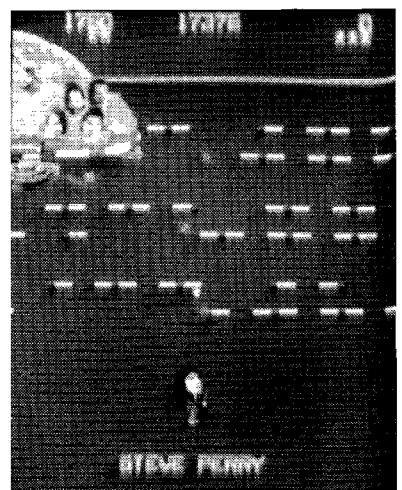
**Play Mode Display 6**



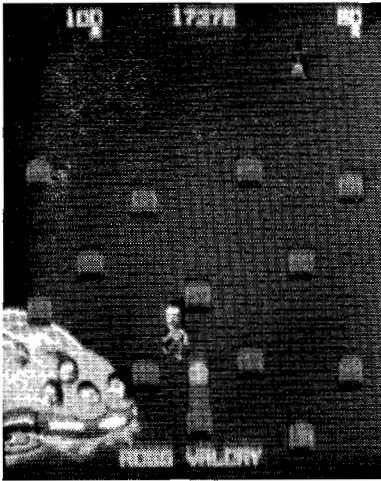
**Play Mode Display 7**



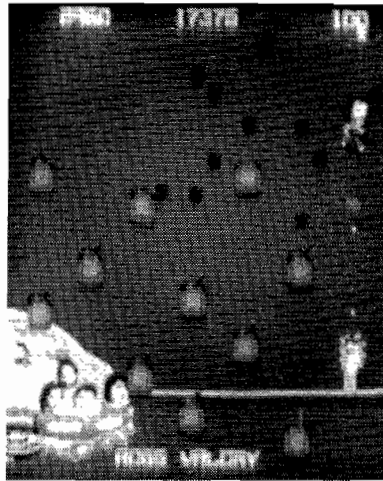
**Play Mode Display 8**



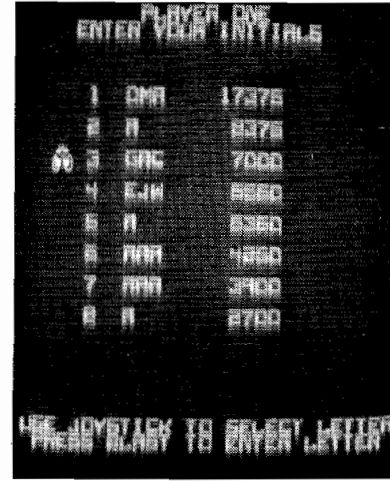
**Play Mode Display 9**



Play Mode Display 10



Play Mode Display 11

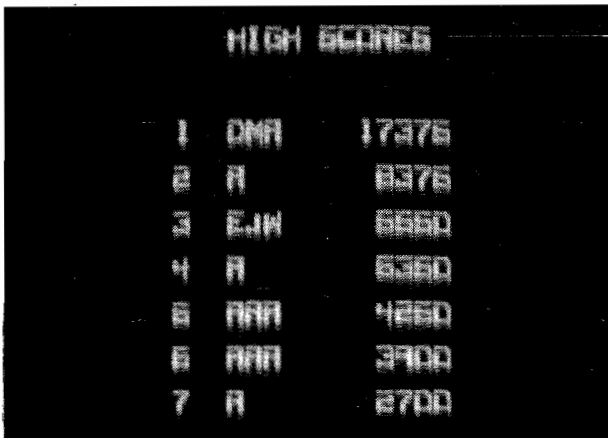


High Score/Initial Mode Display

15. **HIGH SCORE/INITIAL MODE:** If your score was high enough to become one of the ten best scores, the game will go into the High Score/Initial mode immediately after the above display. If your score is not high enough to cause the game to go into the High Score/Initial mode, it will either go to the Attract mode (if there are no more credits left in its memory) or into the Ready-To-Play mode (if there are still credits left in its memory). In the High Score/Initial mode, the game gives a display which looks like that shown in the above right figure.

Follow the ON-SCREEN instructions to enter your initials next to your score in the league of the best ten players to date.

When you've printed out your last initial, move the cursor opposite the "END" word and activate the same control you did to enter your initials. This tells the game you are through printing out your initials. The game will then give the following **rankings** display showing your score opposite your ranking and your initials. See Figure below.



Rankings Display

**NOTE:** If you don't tell the game you are through printing out your initials as instructed above, the game will automatically go into the **rankings** display after a short wait.

After the High Score/Initial mode, the game will either go to the Attract mode (if there are no more credits left in its memory) or into the Ready-To-Play mode (if there are still credits left in its memory).

16. Most of the above holds true in the "2 PLAYER" mode also. But there are a few minor differences.

## TWO PLAYER OPERATION

The Upright and Cocktail Table models all have two player operation.

In the two player mode, the rules of play are the same as in the single player mode. There are some additional rules, however:

1. In the Upright models, the players must take turns at the controls.
2. In the Cocktail Table model, each player has his own set of individual controls. The picture will flip to face you when it is your turn. (When it is not your turn, your set of controls will have **no** effect on the game.)
3. Your turn lasts until your performer is eliminated. At this point, the game will do one of several things depending on whether or not the eliminated performer was your last or if you still have others remaining in reserve.

### **ELIMINATED PERFORMER - OTHERS REMAINING IN RESERVE**

- The game stops and "PLAYER \_\_\_\_" is displayed on the screen.
- Next, the other players planets and transport ship appear on the monitor screen and game play begins for the other player.

### **ELIMINATED PERFORMER - NO OTHERS REMAINING IN RESERVE**

- Game displays: "PLAYER \_\_\_\_" "GAME OVER" on the monitor screen.
- Next, the other players planets and transport ship appear on the monitor screen and game play begins for the other player.
- After the last players last performer is eliminated, and if either or both scores were high enough, it goes into the High Score/Initial mode.

If neither players score was high enough to cause the game to go into the High Score/Initial mode, the game will either go to the Attract mode (if there are no more credits left in its memory) or into the Ready-To-Play mode (if there are still credits left in its memory).

### **RACK ADVANCE**

Your **new** game is equipped with a RACK ADVANCE feature that can allow you to view and/or play the higher racks for test purposes. It is activated in the following manner:

1. Turn the power to the game on.
2. Open the coin door.

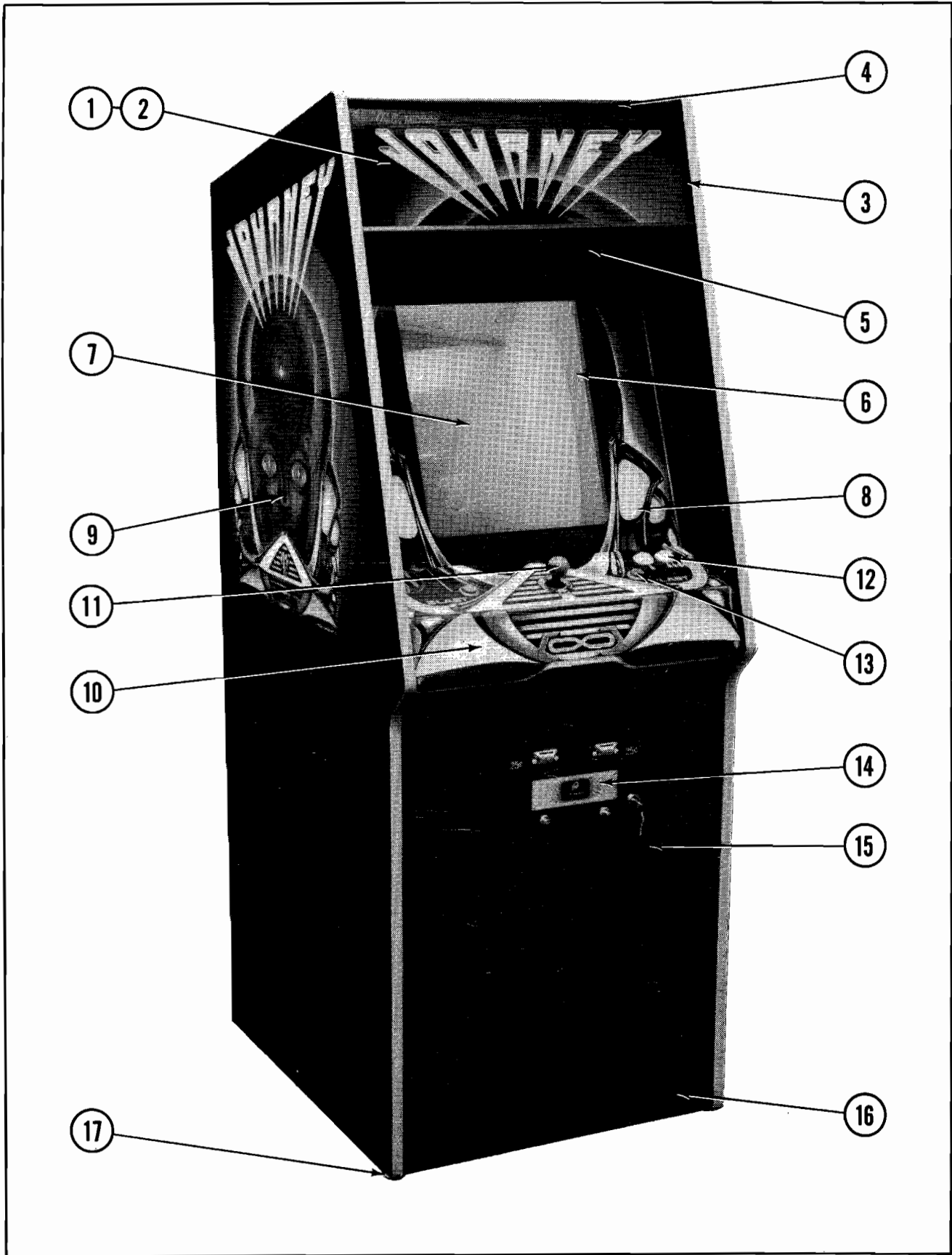
**NOTE:** COCKTAIL TABLE MODELS ONLY - gently pull out the plunger on the Safety Interlock Switch located just inside the coin door.

3. Using the Test Credit Button, put a credit on the game.
4. Press the "1 PLAYER" start button.
5. **Immediately** set the games Self-Test switch to the "ON" position.
6. By pressing **both** the "1 PLAYER" and "2 PLAYER" start buttons at the **same** time (ONLY WHEN THE TRANSPORT SHIP IS IN THE CENTER OF THE 5 PLANETS), the game will advance to the next rack.
7. When finished, set the Self-Test switch back to the "OFF" position, and close and lock the coin door.



## **II. Illustrated Parts Breakdown**

NO. 358—JOURNEY UPRIGHT—FRONT



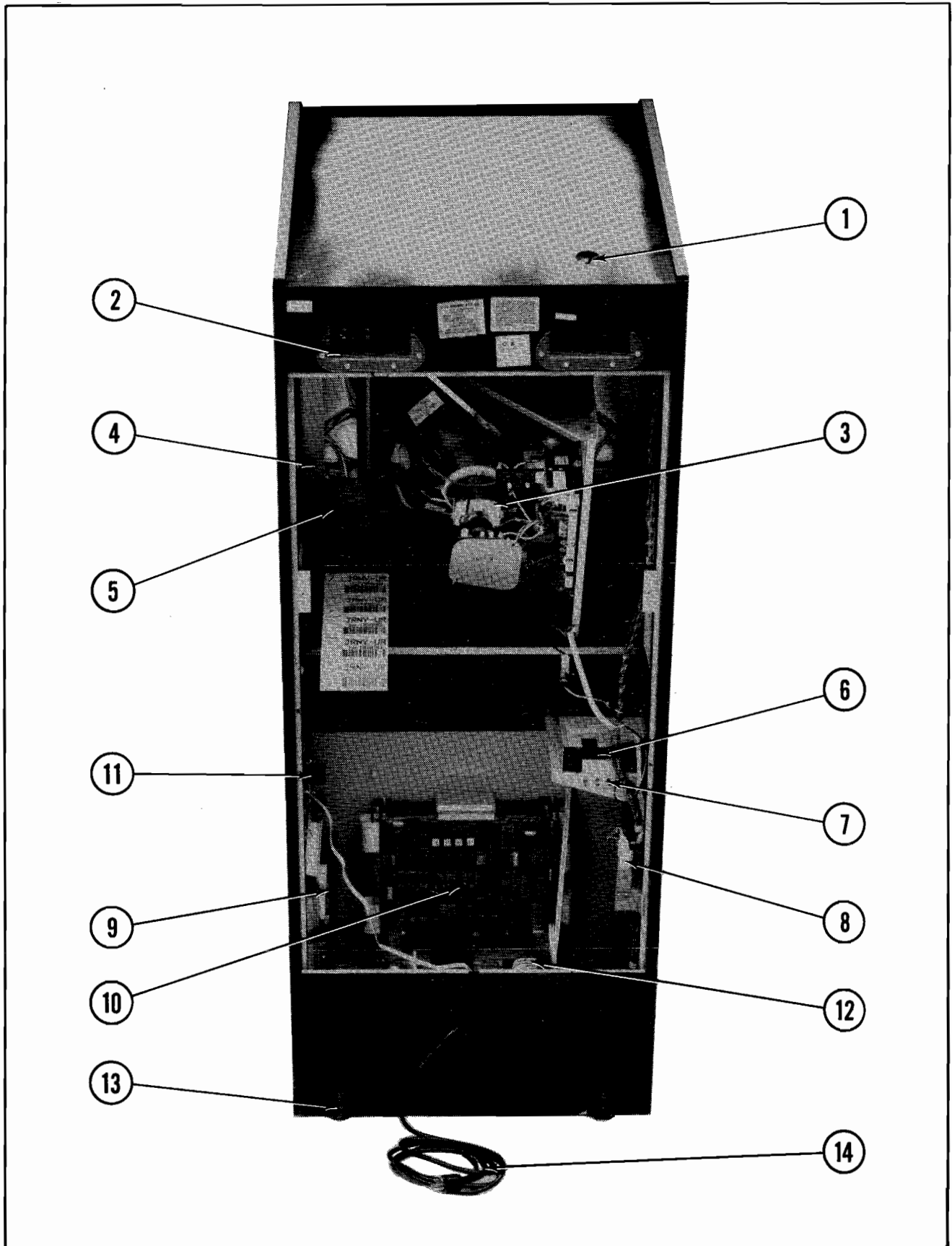


**NO. 358—JOURNEY UPRIGHT—FRONT—PARTS LIST**

ORDER BY PART NUMBER **ONLY**

| ITEM | PART NO.        | DESCRIPTION  |
|------|-----------------|--|
| 1    | 0358-00900-00XF | DECORATIVE HEADER - 23"x8½"x3/16"  |
| 2    | A595-00011-0000 | HEADER FLUOR. LIGHT ASSY.  |
| 3    | 0537-00903-0064 | GLASS CHANNEL - 6⅞" (2 REQ'D.)   |
| 4    | 0574-00903-0100 | HEADER RETAINING BRKT. (2 REQ'D.)  |
|      | 0017-00101-0138 | #8x⅝ TORX TAMPER RESISTANT SCREW (10 REQ'D.)                             |
|      | 0017-00009-0522 | LONG ARM KEY T—20 (FOR ABOVE SCREW)                                      |
| 5    | 0017-00009-0393 | BLACK SPEAKER GRILL W/SLOTS (2 REQ'D.)                                   |
|      | 0017-00003-0430 | 6"x9" SPEAKER—4OHM, 9W. (2 REQ'D.)                                       |
|      | 0017-00101-0127 | #8-32x1½ CARRIAGE BOLT (8 REQ'D.)  |
|      | 0017-00103-0061 | #8-32 HEX NUT W/SEMS (8 REQ'D.)  |
| 6    | 0557-00900-0000 | T.V. BEZEL   |
| 7    | 0333-00902-0000 | DIFFUSER PLEXI   |
|      | 0508-00901-0000 | PLEXI—GLASS MTG. CLIPS (4 REQ'D.)  |
|      | 0017-00101-0017 | #6x½ BLACK SLT. HEX HD. SCREW (4 REQ'D.)                                 |
| 8    | 0358-00901-00XF | MAIN VIEWING GLASS—23"x20⅞"x3/16"  |
| 9    | 0358-00903-0200 | DECAL—LEFT SIDE  |
|      | 0358-00903-0100 | DECAL—RIGHT SIDE (NOT SEEN)  |
| 10   | A358-00013-0000 | OVERLAY—CONTROL SHELF PLATE ASSY.  |
|      | A358-00014-0000 | CONTROL SHELF PLATE WELDMENT ASSY.                                       |
|      | 0358-00902-0000 | DECORATIVE CONTROL SHELF ASSY.   |
|      | 0358-00101-0100 | CONTROL SHELF MTG. BRKT.—RIGHT   |
|      | 0358-00101-0200 | CONTROL SHELF MTG. BRKT.—LEFT  |
|      | 0555-00901-0000 | PLASTIC LOCATING PIN (4 REQ'D.)  |
|      | 0017-00009-0534 | BASSICK CLAMP (3 REQ'D.)   |
|      | 0017-00101-0141 | #8x11/16 UNSLOT HEX HD. SCREW (10 REQ'D.)                                |
|      | 0639-00924-0000 | CONTROL SHELF STRAP  |
| 11   | A982-00017-0000 | CONTROL ASSEMBLY   |
|      | A303-00010-0000 | CONTROL SHELF CABLE ASSY.  |
| 12   | 0017-00042-0260 | PUSH BUTTON ASSY.—WHITE (2 REQ'D.)                                       |
| 13   | 0017-00042-0256 | PUSH BUTTON ASSY.—RED (2 REQ'D.)   |
|      | 0017-00032-0093 | PUSH BUTTON SWITCH W/HOLDER (4 REQ'D.)                                   |
|      | 0017-00103-0054 | ⅝-11 PAL NUT (4 REQ'D.)  |
| 14   | A090-00300-11BK | U.S.A. 25¢ DOUBLE COIN DOOR ASSY.  |
|      | A982-00015-0000 | COIN DOOR CABLE ASSY.  |
| 15   | 0090-00002-04BK | LARGE COIN DOOR FRAME  |
|      | 0017-00101-0121 | #6-32x5/16 PHIL. TRS. HD. SCR. (3 REQ'D.)<br>(MOUNTS COIN DOOR TO FRAME) |
| 16   | 0935-00906-0100 | KICK PLATE—23" LG.   |
| 17   | 0017-00102-0048 | ⅝-16x2" LEG LEVELERS (4 REQ'D.)  |
|      | 0017-00103-0026 | ⅝-16 LEG LEVELER HEX NUTS (4 REQ'D.)                                     |

NO. 358—JOURNEY UPRIGHT—REAR ACCESS



**NO. 358—JOURNEY UPRIGHT—REAR ACCESS—PARTS LIST**

*ORDER BY PART NUMBER ONLY*

| ITEM | PART NO.        | DESCRIPTION   |
|------|-----------------|---|
| 1    | A945-00038-0000 | ON—OFF SWITCH & PLATE ASSY.                                 |
| 2    | 0894-00916-0000 | PLASTIC PULL & VENT (2 REQ'D.)                              |
| 3    | 0017-00101-0141 | #8x11/16 UNSLOT HEX HD. M.S. (8 REQ'D.)                     |
|      | 0017-00003-0339 | ELECTROHOME—19" COLOR DUAL SYNC. HORIZ. MTG. MONITOR (OR)   |
| 3    | 0017-00003-0439 | WELLS—GARDNER—19" COLOR DUAL SYNC. HORIZ. MTG. MONITOR (OR) |
| 3    | 0017-00003-0454 | ZENITH—19" COLOR DUAL SYNC. HORIZ. MTG. MONITOR             |
| 4    | 0349-00101-0000 | MONITOR SUPPORT RAIL (2 REQ'D.)                             |
| 5    | 0555-00901-0000 | PLASTIC LOCATING PIN (4 REQ'D.)                             |
|      | 0017-00101-0141 | #8x11/16 UNSLOT HEX HD. M.S. (8 REQ'D.)                     |
|      | 0349-00100-0000 | MONITOR MTG. ANGLE BRKT. (2 REQ'D.)                         |
|      | 0017-00101-0082 | #10x $\frac{3}{4}$ UNSLOT HEX HD. BOLT (4 REQ'D.)           |
|      | 0017-00104-0011 | #10 EXT. WASHER (4 REQ'D.)                                  |
| 6    | 0017-00101-0144 | #10-24x $\frac{5}{8}$ SLT. HEX W/WASHER SCR. (4 REQ'D.)     |
|      | 0017-00009-0543 | CASSETTE TAPE RECORDER                                      |
|      | 0017-00003-0482 | POWER PLUG  |
| 7    | 0358-00904-0000 | RECORDED AUDIO CASSETTE                                     |
|      | A358-00015-0000 | WELDED SUPPORT BRKT. ASSY.                                  |
|      | 0358-00103-0000 | RECORDER CLAMPING BRKT.—REAR                                |
| 8    | 0358-00104-0000 | RECORDER CLAMPING BRKT.—FRONT                               |
|      | 0017-00101-0141 | #8x11/16 UNSLOT HEX HD. M.S. (16 REQ'D.)                    |
|      | A088-00016-0000 | INTERLOCK SWITCH & SPRING BRKT. ASSY.                       |
| 9    | 0303-00904-0000 | INTERLOCK SWITCH COVER                                      |
|      | A082-90412-D000 | POWER SUPPLY P.C. BOARD ASSY.                               |
| 10   | 0624-00902-0100 | P.C. SUPPORT BRKT.-12" LG. (2 REQ'D.)                       |
|      | 0624-00902-0500 | P.C. SUPPORT BRKT.—6 $\frac{1}{2}$ " LG. (2 REQ'D.)         |
|      | 0317-00102-0000 | P.C. MTG. BRACE BRKT. (4 REQ'D.)                            |
|      | 0017-00101-0141 | #8x11/16 UNSLOT HEX HD. M.S. (10 REQ'D.)                    |
|      | 0017-00104-0037 | #8 FLAT WASHER (10 REQ'D.)                                  |
|      | A358-00018-0000 | CARD RACK ASSY. W/BOARDS                                    |
|      | A084-90913-A358 | SOUND P.C. BRD. ASSY.                                       |
|      | A639-00060-0000 | SHIELD & BARRIER ASSY.                                      |
|      | 0017-00101-0134 | #6-32x $\frac{1}{4}$ PHIL. RND. HD. M.S. (4 REQ'D.)         |
|      | A084-91475-A358 | SUPER C.P.U. P.C. BRD. ASSY.                                |
| 11   | A358-00016-0000 | SHIELD & SPACER ASSY.—INNER                                 |
|      | A084-91464-A358 | SUPER VIDEO P.C. BRD. ASSY.                                 |
|      | A358-00017-0000 | SHIELD & SPACER ASSY.—OUTER                                 |
|      | 0017-00101-0153 | #6-32x1" PHIL. PAN HD. M.S. (8 REQ'D.)                      |
|      | A084-91496-B000 | DUAL POWER AMP. P.C. BOARD ASSY.                            |
| 12   | A945-00020-0000 | POWER CHASSIS ASSY.-125VA, 115V.                            |
| 13   | A961-00007-0000 | CASTER ASSEMBLY (2 REQ'D.)                                  |
| 14   | A945-00019-0000 | LINE CORD ASSY.   |

**NO. 358—JOURNEY UPRIGHT—REAR ACCESS—PARTS LIST (Continued)**

*ORDER BY PART NUMBER ONLY*

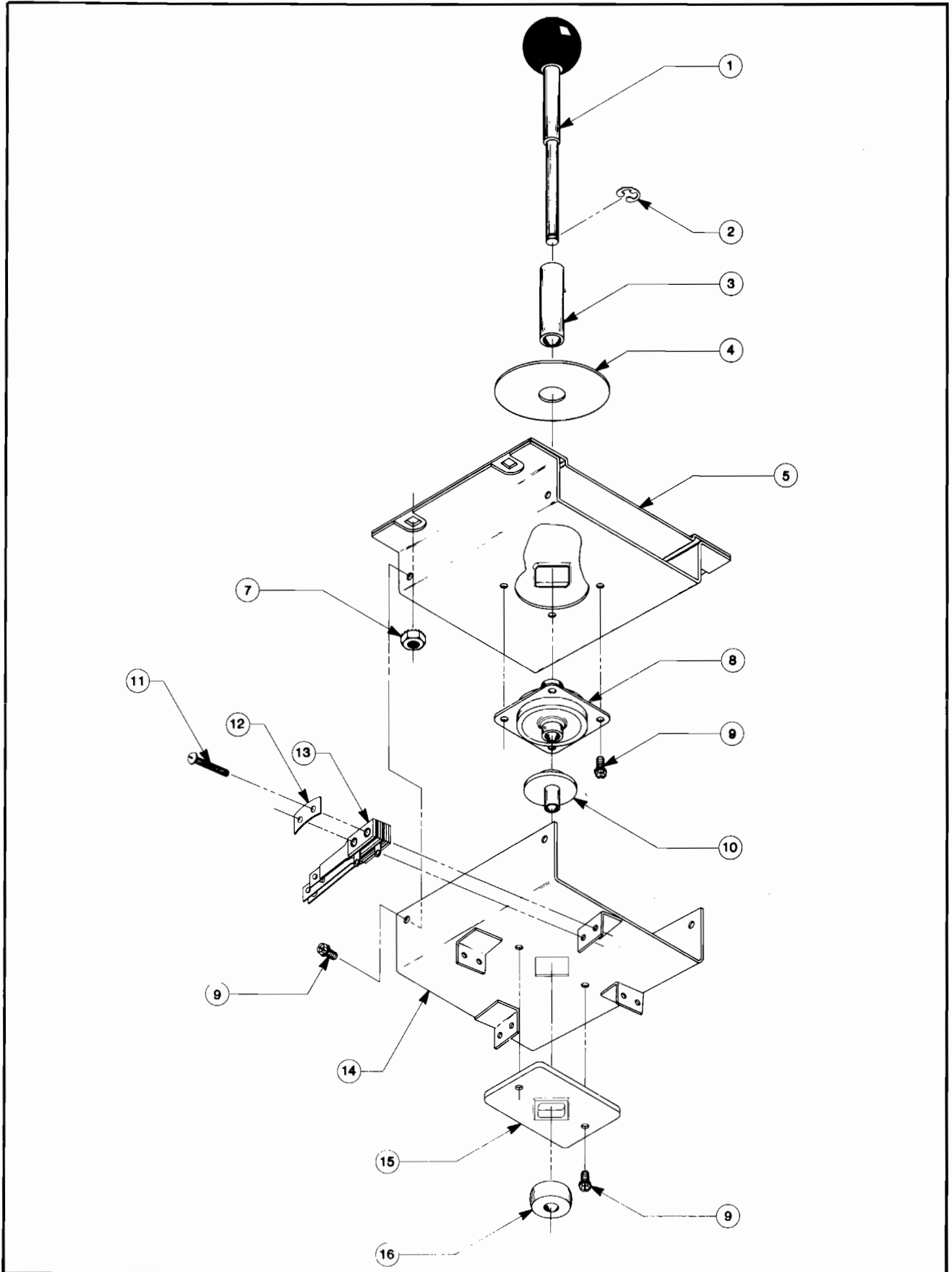
| ITEM                         | PART NO.        | DESCRIPTION                                 |
|------------------------------|-----------------|---|
| <b>ADDITIONAL PARTS LIST</b> |                 |   |
|                              | A950-00004-0000 | COIN BOX ASSY.                              |
|                              | A950-00006-0000 | WIRE COIN BOX CRADLE ASSY.                  |
|                              | 0950-00105-0000 | COIN BOX COVER                              |
|                              | 0950-00104-0000 | COIN BOX HANDLE                             |
|                              | 0950-00101-00XF | COIN DEFLECTOR                              |
|                              | 0950-00900-0000 | LARGE PLASTIC COIN BOX                      |
|                              | 0950-00103-0000 | COIN BOX DIVIDER—OPTIONAL                   |
|                              | 0017-00101-0142 | 1/4-20x1 1/8 BLACK RND. HD. BOLT (4 REQ'D.) |
|                              | 0017-00104-0014 | 7/8" DISH WASHER (4 REQ'D.)                 |
|                              | 0017-00103-0018 | 1/4-20 HEX NUT (4 REQ'D.)                   |
|                              | A097-00009-0000 | BACK DOOR LOCK ASSY.                        |
|                              | 0017-00009-0490 | 5 5/8" SQR. BACK DOOR VENT GRILL (4 REQ'D.) |
|                              | A358-00008-0000 | MASTER CABLE ASSY. W/BRKT.                  |
|                              | A358-00010-0000 | HIGH VOLTAGE CABLE ASSY.                    |
|                              | A941-00008-0000 | LOW VOLTAGE CABLE ASSY.                     |
|                              | A337-00018-0000 | VIDEO CABLE ASSY.                           |
|                              | A337-00019-0000 | AUDIO CABLE ASSY.                           |

**JOURNEY—CONTROL ASSEMBLY—ALL VERSIONS —PARTS LIST**

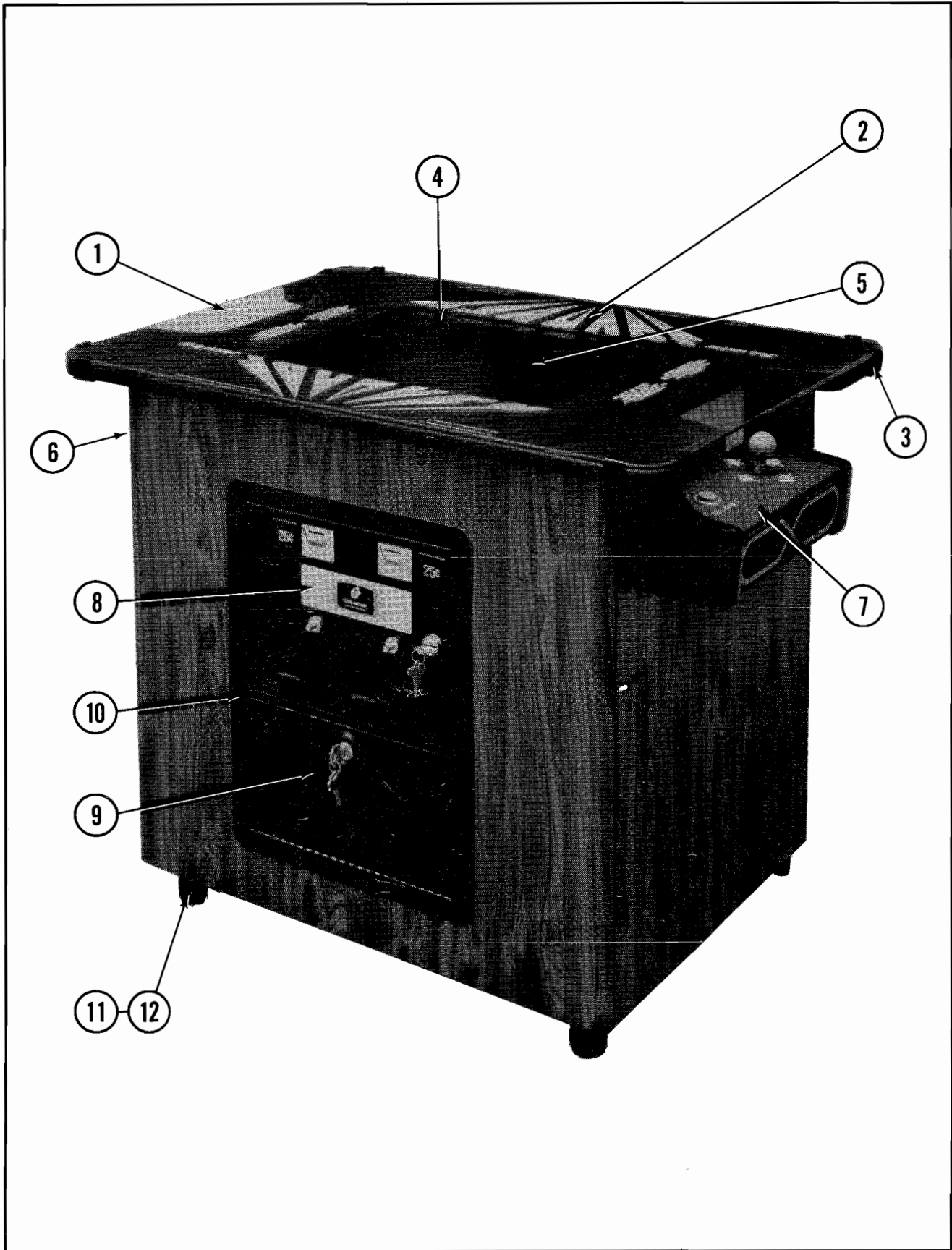
*ORDER BY PART NUMBER ONLY*

| ITEM | PART NO.        | DESCRIPTION                              |
|------|-----------------|--|
| 1    | A932-00022-0000 | BALL & SHAFT ASSEMBLY                    |
| 2    | 0017-00100-0025 | 1/4 E-RING                               |
| 3    | 0921-00702-0000 | STOP SPACER                              |
| 4    | 0921-00902-0000 | SLIDE PLATE                              |
| 5    | A982-00019-0000 | PIVOT PLATE WELD ASSY.                   |
| 7    | 0017-00103-0061 | #8-32 HEX NUT W/SEMS (4 REQ'D.)          |
| 8    | 0932-00902-0000 | GROMMET                                  |
| 9    | 0017-00101-0598 | #8-32x5/16 SLT. HEX HD. M.S. (10 REQ'D.) |
| 10   | 0962-00904-0000 | SLEEVE                                   |
| 11   | 0017-00101-0527 | #5-40x5/8 SLT. RND. HD. SCR. (8 REQ'D.)  |
| 12   | 0020-00202-0000 | SWITCH PLATE (4 REQ'D.)                  |
| 13   | A932-00009-0000 | SWITCH ASSEMBLY (4 REQ'D.)               |
| 14   | A316-00019-0000 | STOP PLATE & SWITCH BRKT. ASSY.          |
| 15   | 0932-00905-0000 | WEAR PLATE                               |
| 16   | 0921-00700-0000 | ACTUATOR                                 |

# JOURNEY — CONTROL ASSEMBLY — ALL VERSIONS



NO. 362—JOURNEY COCKTAIL—FRONT



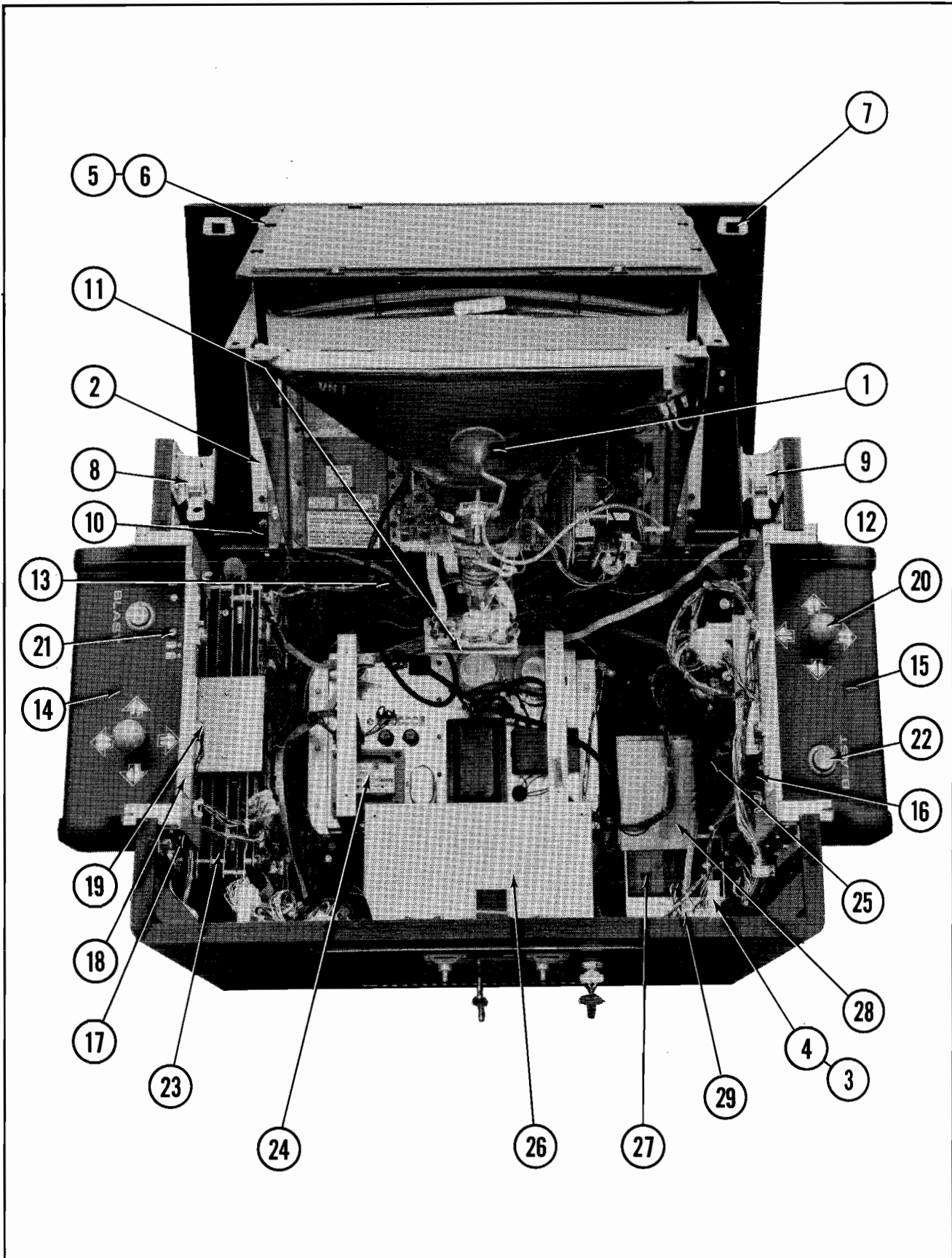


**NO. 362—JOURNEY COCKTAIL—FRONT—PARTS LIST**

*ORDER BY PART NUMBER ONLY*

| <b>ITEM</b> | <b>PART NO.</b> | <b>DESCRIPTION</b>   |
|-------------|-----------------|--|
| 1           | 0311-00901-0000 | COVER GLASS  |
| 2           | 0362-00903-0000 | DECORATIVE ARTWORK UNDERLAY  |
| 3           | 0311-00101-00XF | CORNER GLASS CLIP (4 REQ'D.)   |
|             | 0017-00101-0126 | #10-32x $\frac{3}{4}$ HEX BUTTON HD. SCREW (4 REQ'D.)                    |
| 4           | 0017-00042-0314 | 19" BEZEL - INJECTION MOLDED   |
|             | 0311-00100-0000 | BEZEL MTG. BRKT. (2 REQ'D.)  |
| 5           | 0333-00902-0000 | DIFFUSER   |
|             | 0508-00901-0000 | PLEXI-GLASS MTG. CLIP (4 REQ'D.)   |
|             | 0017-00101-0124 | #6x $\frac{1}{4}$ UNSLOT. HEX HD. M.S. (4 REQ'D.)                        |
| 6           | A362-00004-0100 | CONTROL SHELF ASSY. - PLYR. #1 (NOT SEEN)                                |
| 7           | A362-00004-0200 | CONTROL SHELF ASSY. - PLYR. #2   |
| 8           | A090-00300-11BK | U.S.A. 25¢ DOUBLE COIN DOOR ASSY.  |
|             | A982-00015-0000 | COIN DOOR CABLE ASSY.  |
| 9           | A090-00605-0000 | COIN BOX DOOR & LOCK ASSY.   |
| 10          | A090-00603-00XF | COIN DOOR FRAME ASSY.  |
|             | 0017-00101-0121 | #6-32x5/16 PHIL. TRS. HD. SCR. (4 REQ'D.)<br>(MOUNTS COIN DOOR TO FRAME) |
| 11          | 0311-00900-0000 | LEG (4 REQ'D.)   |
|             | 0017-00101-0769 | #10x $\frac{3}{4}$ SLT. HEX HD. WOOD SCREW (20 REQ'D.)                   |
| 12          | 0017-00102-0048 | $\frac{3}{8}$ -16x2" LEG LEVELERS (4 REQ'D.)                             |
|             | 0017-00103-0026 | $\frac{3}{8}$ -16 LEG LEVELER HEX NUTS (4 REQ'D.)                        |

NO. 362—JOURNEY COCKTAIL—INTERIOR ACCESS



**NO. 362—JOURNEY COCKTAIL—INTERIOR ACCESS—PARTS LIST**

ORDER BY PART NUMBER **ONLY**

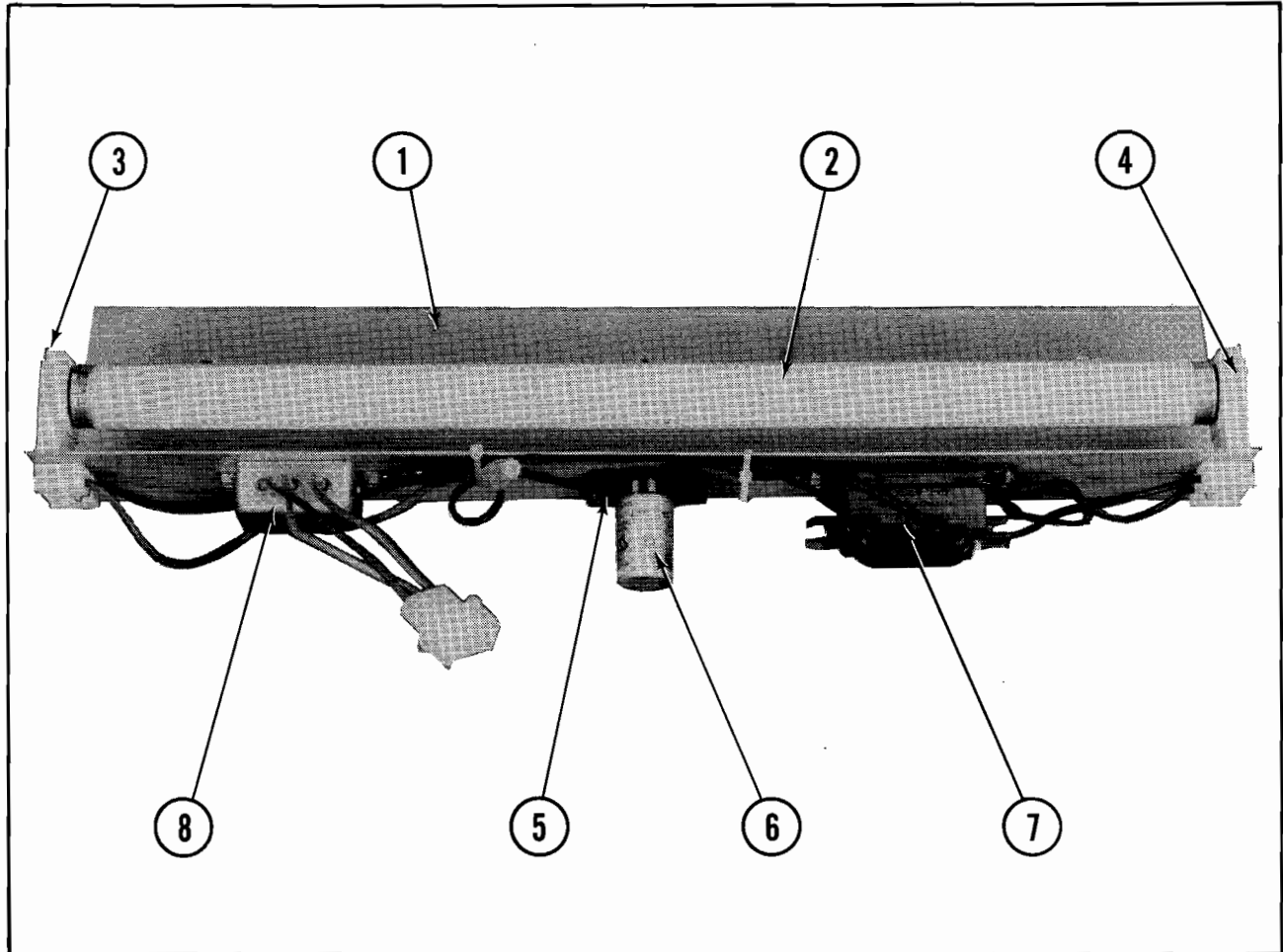
| ITEM | PART NO.        | DESCRIPTION   |
|------|-----------------|---|
| 1    | 0017-00003-0339 | ELECTROHOME—19" COLOR DUAL SYNC. HORIZONTAL MTG. MONITOR (OR)   |
| 1    | 0017-00003-0439 | WELLS—GARDNER—19" COLOR DUAL SYNC. HORIZONTAL MTG. MONITOR (OR) |
| 1    | 0017-00003-0454 | ZENITH—19" COLOR DUAL SYNC. HORIZ. MTG. MONITOR                 |
| 2    | 0311-00109-0000 | HORIZONTAL MONITOR MTG. BRKT. (2 REQ'D.)                        |
| 3    | 0610-00132-00ZN | STRIKE (2 REQ'D.) (NOT SEEN)                                    |
| 4    | 0017-00009-0534 | BASSICK CLAMP (2 REQ'D.)  |
|      | 0017-00101-0141 | #8x11/16 UNSLOT HEX HD. M.S. (8 REQ'D.)                         |
| 5    | 0311-00103-00XF | CATCH (2 REQ'D.)  |
|      | 0017-00101-0141 | #8x11/16 UNSLOT HEX HD. M.S. (6 REQ'D.)                         |
| 6    | 0311-00104-00XF | CATCHER PLATE (2 REQ'D.)  |
| 7    | 0311-00106-0000 | STRIKE—BACK PANEL (2 REQ'D.)                                    |
| 8    | A311-00009-0100 | CLAMP & BRKT. ASSY.—R.H.  |
| 9    | A311-00009-0200 | CLAMP & BRKT. ASSY.—L.H.  |
|      | 0017-00101-0141 | #8x11/16 UNSLOT HEX HD. M.S. (8 REQ'D.)                         |
| 10   | 0311-00102-0000 | SELF MORTISE HINGE (2 REQ'D.)                                   |
|      | 0017-00101-0156 | #10-32x1¼ BLACK RND. HD. CARRIAGE BOLT (8 REQ'D.)               |
|      | 0017-00103-0081 | #10-32 HEX NUT W/SEMS (8 REQ'D.)                                |
| 11   | 0311-00902-0000 | MONITOR SHIELD (NOT SEEN)                                       |
| 12   | A311-00007-0000 | LATCH SLIDE ASSY.   |
|      | 0889-00112-0000 | SLIDE CATCH   |
|      | 0017-00101-0141 | #8x11/16 UNSLOT HEX HD. M.S. (2 REQ'D.)                         |
| 13   | 0017-00003-0430 | 6"x9" SPEAKER—4 OHM, 10W. (2 REQ'D.)                            |
|      | 0017-00009-0393 | BLACK SPEAKER GRILL W/SLOTS (2 REQ'D.)                          |
|      | 0017-00101-0127 | #8-32x1½ BLACK RND. HD. CARRIAGE BOLT (8 REQ'D.)                |
|      | 0017-00103-0061 | #8-32 HEX NUT W/SEMS (4 REQ'D.)                                 |
| 14   | A362-00011-0100 | DECORATIVE OVERLAY & PANEL ASSY.—PLYR. #1                       |
|      | A362-00010-0000 | CONTROL PANEL WELDMENT ASSY.                                    |
|      | 0362-00900-0100 | OVERLAY—PLAYER #1   |
| 15   | A362-00011-0200 | DECORATIVE OVERLAY & PANEL ASSY.—PLYR. #2                       |
|      | A362-00010-0000 | CONTROL PANEL WELDMENT ASSY.                                    |
|      | 0362-00900-0200 | OVERLAY—PLYR. #2  |
| 16   | A362-00012-0000 | BOTTOM PLATE & HINGE ASSY. (2 REQ'D.)                           |
|      | 0017-00101-0341 | #6x¼ PHIL. TRS. HD. SCR. (6 REQ'D.)                             |
|      | 0017-00101-0141 | #8x11/16 UNSLOT HEX HD. M.S. (18 REQ'D.)                        |
| 17   | 0362-00100-0000 | LOCATING BRKT. (4 REQ'D.)                                       |
|      | 0017-00101-0141 | #8x11/16 UNSLOT HEX HD. M.S. (20 REQ'D.)                        |
| 18   | 0362-00901-0000 | LIGHT SHIELD (2 REQ'D.)   |
|      | 0017-00101-0740 | #8-32x¾ WING SCREW (4 REQ'D.)                                   |
| 19   | 0017-00031-0044 | WEDGE BASE LAMP SOCKET (4 REQ'D.)                               |
|      | 0017-00003-0219 | #194 WEDGE BASE LAMP—14V., 27A. (4 REQ'D.)                      |
|      | 0017-00101-0555 | #6-32x5/16 SLT. HEX HD. M.S. (4 REQ'D.)                         |
| 20   | A982-00017-0000 | CONTROL ASSY. (2 REQ'D.)  |
|      | A317-00010-0100 | CONTROL SHELF CABLE ASSY.—PLYR. # 1                             |
|      | A317-00010-0200 | CONTROL SHELF CABLE ASSY.—PLYR. #2                              |
| 21   | 0017-00032-0106 | PUSH BUTTON SWITCH (2 REQ'D.)                                   |
| 22   | 0017-00042-0256 | PUSH BUTTON ASSY.—RED (2 REQ'D.)                                |
|      | 0017-00032-0093 | PUSH BUTTON SWITCH W/HOLDER (2 REQ'D.)                          |
|      | 0017-00103-0054 | 5/8-11 PAL NUT (2 REQ'D.)                                       |

**NO. 362—JOURNEY COCKTAIL—INTERIOR ACCESS—PARTS LIST (Continued)**

*ORDER BY PART NUMBER ONLY*

|                              |   |  |
|------------------------------|---|--|
| 23                           | A358-00018-0000<br>A084-90913-A358<br>A639-00060-0000<br>0017-00101-0134<br>A084-91475-A358<br>A358-00016-0000<br>A084-91464-A358<br>A358-00017-0000<br>0017-00101-0153 | CARD RACK ASSY. W/BOARDS<br>SOUND P.C. BRD. ASSY.<br>SHIELD & BARRIER ASSY.<br>#6-32x¼ PHIL. RND. HD. M.S. (4 REQ'D.)<br>SUPER C.P.U. P.C. BRD. ASSY.<br>SHIELD & SPACER ASSY.—INNER<br>SUPER VIDEO P.C. BRD. ASSY.<br>SHIELD & SPACER ASSY.—OUTER<br>#6-32x1" PHIL. PAN HD. M.S. (8 REQ'D.) |
| 24                           | A945-00020-0000<br>A945-00033-0000  | POWER CHASSIS ASSY.—125VA., 115V.<br>MAGNETIC SHIELD & LABEL ASSY.   |
| 25                           | A084-90412-D000<br>0624-00902-0200<br>0624-00902-0500<br>0017-00101-0141<br>0017-00104-0037   | POWER SUPPLY P.C. BOARD ASSY.<br>P.C. SUPPORT BRKT.—10" LG. (2 REQ'D.)<br>P.C. SUPPORT BRKT.—6½" LG. (2 REQ'D.)<br>#8x11/16 UNSLOT HEX HD. M.S. (12 REQ'D.)<br>#8 FLAT WASHER (12 REQ'D.)  |
| 26                           | A090-00606-0000<br>0090-00189-0000<br>A945-00038-0000<br>A775-00013-0000  | CASH BOX & PULL ASSY.<br>CASH BOX ENCLOSURE<br>ON—OFF SWITCH & PLATE ASSY. (LOCATED UNDER ITEM #26)<br>FAN ASSY. (LOCATED UNDER ITEM #26)  |
| 27                           | 0017-00009-0534<br>0358-00904-0000  | CASSETTE TAPE RECORDER<br>RECORDED AUDIO CASSETTE  |
| 28                           | A362-00013-0000<br>0017-00101-0141  | CLAMPING BRKT. WELDMENT ASSY.<br>#8x11/16 UNSLOT HEX HD. M.S. (4 REQ'D.)   |
| 29                           | A084-91496-B358   | DUAL POWER AMP P.C.B.  |
| <b>ADDITIONAL PARTS LIST</b> |   |  |
|                              | A362-00007-0000<br>A362-00009-0000<br>A362-00014-0000<br>A580-00011-0000<br>A945-00019-0000<br>A088-00018-0000  | MASTER CABLE 2/BRKT. ASSY.<br>HIGH VOLTAGE CABLE ASSY.<br>LOW VOLTAGE CABLE ASSY.<br>VIDEO SIGNAL CABLE ASSY.<br>LINE CORD ASSY.<br>INTERLOCK SWITCH & BRKT. ASSY.   |

**JOURNEY - HEADER FLOURESCENT FIXTUTRE ASSY.**

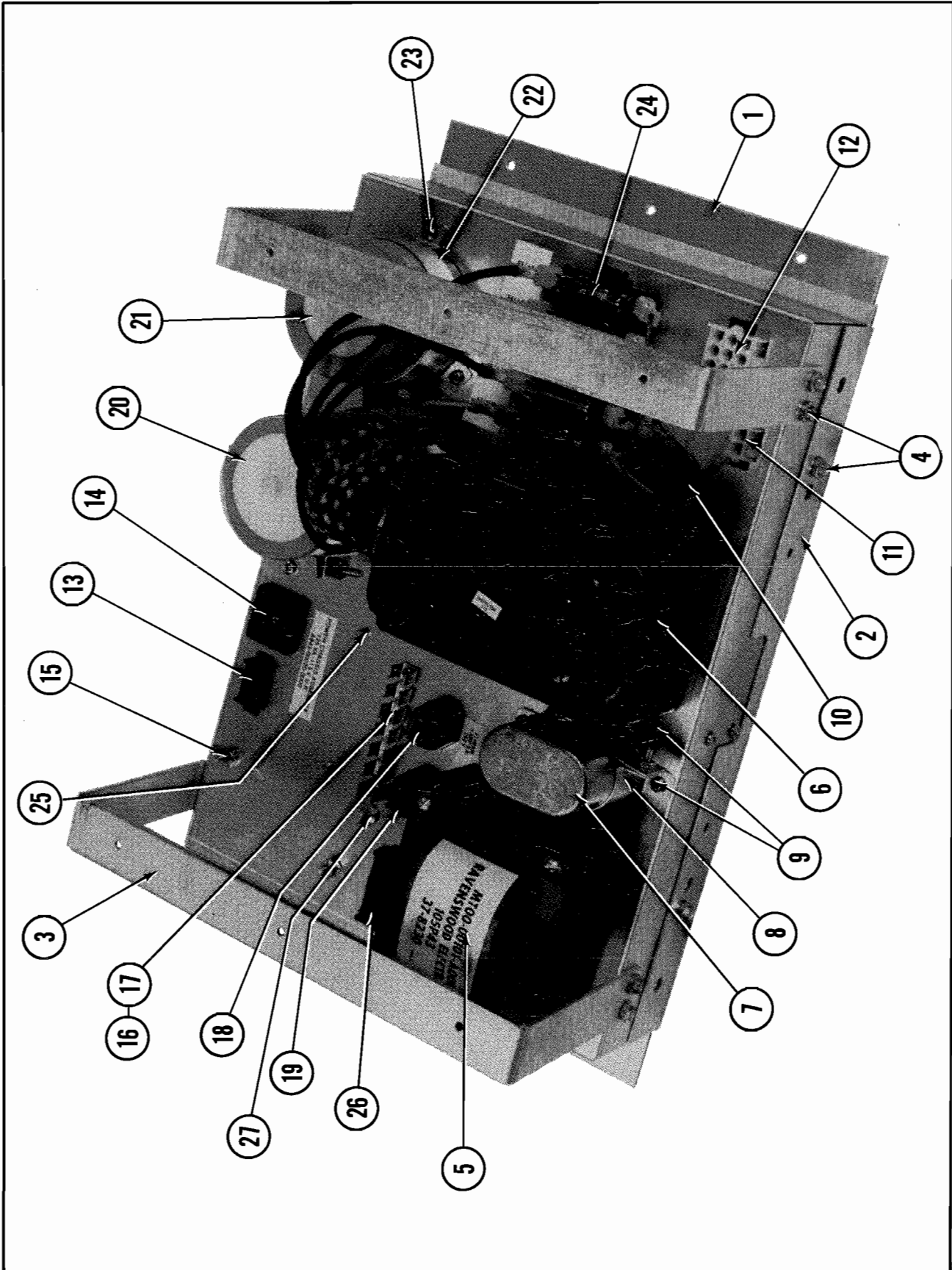


**JOURNEY - HEADER FLOURESCENT FIXTUTRE ASSY. - PARTS LIST**

*ORDER BY PART NUMBER ONLY*

| ITEM | PART NO.        | DESCRIPTION                                |
|------|-----------------|--|
| 1    | 0595-00105-0000 | FLUORESCENT BRKT.                          |
| 2    | 0017-00003-0043 | 18" COOL WHITE FLUORESCENT LAMP            |
| 3    | 0017-00003-0445 | LAMP LOCKS (2 REQ'D.)                      |
| 4    | 0017-00031-0036 | FLUORESCENT SOCKET (2 REQ'D.)              |
| 5    | 0017-00003-0412 | FLUORESCENT STARTER HOLDER W/LEADS         |
|      | 0017-00101-0573 | #6-32 x 1/2 PHIL. RND. HD. M.S. (4 REQ'D.) |
|      | 0017-00104-0009 | #6 EXT. WASHER (4 REQ'D.)                  |
| 6    | 0017-00003-0019 | FLUORESCENT STARTER                        |
| 7    | 0017-00003-0026 | BALLAST                                    |
|      | 0017-00101-0598 | #8-32 x 5/16 SLT. HEX HD. SCR. (4 REQ'D.)  |
| 8    | A961-00042-0000 | LINE FILTER ASSY.                          |

JOURNEY — POWER CHASSIS ASSY. — 125VA., 115V.



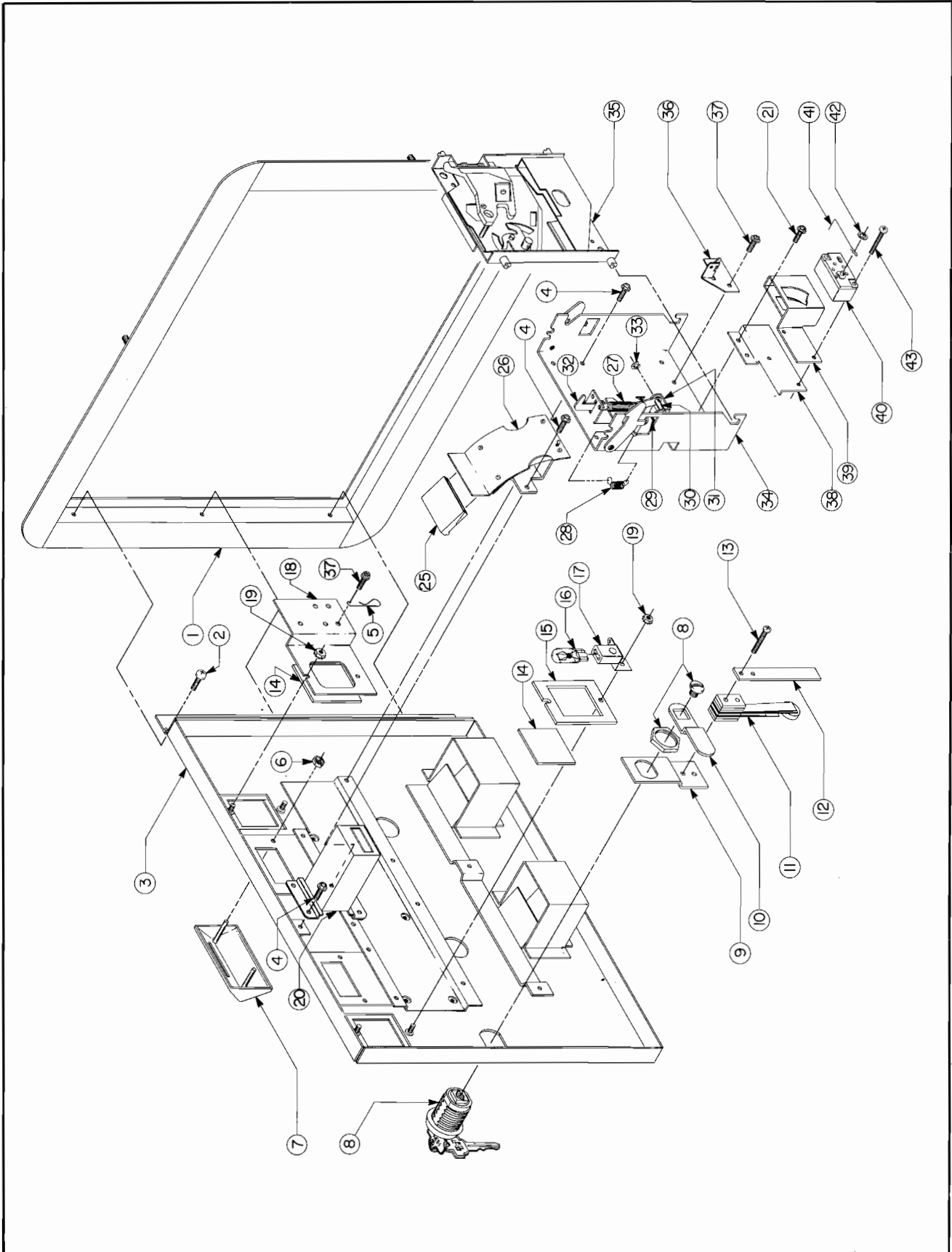


**JOURNEY—POWER CHASSIS ASSY.—125VA., 115V.—PARTS LIST**

*ORDER BY PART NUMBER ONLY*

| <b>ITEM</b> | <b>PART NO.</b> | <b>DESCRIPTION</b>  |
|-------------|-----------------|---|
| 1           | A945-00046-00XF | CHASSIS & PARTITION ASSY.                                 |
| 2           | A945-00029-0100 | MTG. PLATE & BARRIER ASSY.                                |
| 3           | 0945-00107-01XF | STRAP (2 REQ'D.)  |
| 4           | 0017-00101-0123 | #8 x 1/4 UNSLOT. HEX HD. SCR. (12 REQ'D.)                 |
| 5           | MT00-00101-A000 | ISOLATION TRANSFORMER W/O SHIELD ASSY. — 115V., 50/60 HZ. |
|             | 0017-00103-0061 | #8-32 HEX NUT W/SEMS (4 REQ'D.)                           |
| 6           | MT00-00099-A000 | POWER TRANSFORMER ASSY. — 115V., 60 HZ.                   |
|             | 0017-00103-0084 | #6-32 HEX NUT W/SEMS (4 REQ'D.)                           |
| 7           | 0175-181T4-GXJK | CAPACITOR — 3.5 M.F., 440V.                               |
| 8           | 0017-00009-0535 | CLAMP   |
|             | 0017-00101-0565 | #6-32 x 7/16 SLT. PAN HD. SCR.                            |
|             | 0017-00103-0084 | #6-32 HEX NUT W/SEMS                                      |
| 9           | 0017-00101-0067 | #6 x 3/8 PHIL. PAN HD. SCR. (11 REQ'D.)                   |
| 10          | 0945-00902-0000 | SNAP BUSHING (3 REQ'D.)                                   |
| 11          | 0017-00021-0297 | 2 POSITION CONNECTOR                                      |
| 12          | A945-00030-0100 | CONNECTOR & CABLE ASSY. #1                                |
| 13          | A945-00030-0200 | CONNECTOR & CABLE ASSY. #2                                |
| 14          | A945-00021-0000 | CONVENIENCE OUTLET ASSY.                                  |
| 15          | 0017-00101-0573 | #6-32 x 1/2 PHIL. RND. HD. SCR. (2 REQ'D.)                |
|             | 0017-00103-0084 | #6-32 HEX NUT W/SEMS (2 REQ'D.)                           |
|             | A945-00025-0000 | FILTER ASSEMBLY — 125V. — UNDER CHASSIS (NOT SEEN)        |
| 16          | 0017-00021-0510 | TERMINAL STRIP  |
| 17          | 0017-00101-0140 | #4-40 x 5/16 PHIL. PAN HD. SCR. (2 REQ'D.)                |
| 18          | 0017-00083-0263 | SLO-BLO FUSE — 4A., 250V.                                 |
| 19          | 0017-00003-0005 | FUSE — 2A., 250V.   |
|             | 0017-00003-0444 | QUICK CONN. FUSEHOLDER (2 REQ'D.) — FOR ABOVE FUSES       |
| 20          | 0945-00816-1902 | CAPACITOR — 100,000 M.F.                                  |
| 21          | 0945-00816-1901 | CAPACITOR — 55,000 M.F.                                   |
|             | 0017-00104-0107 | #10 FLAT WASHER (4 REQ'D.)                                |
|             | 0017-00103-0081 | #10-32 HEX NUT W/SEMS (4 REQ'D.)                          |
| 22          | 0017-00009-0422 | CLAMP (2 REQ'D.)  |
|             | 0017-00101-0758 | #8-32 x 3/4 PHIL. RND. HD. SCREW (2 REQ'D.)               |
|             | 0017-00103-0061 | #8-32 HEX NUT W/SEMS (2 REQ'D.)                           |
| 23          | 0017-00101-0067 | #6 x 3/8 PHIL. PAN HD. SCR. (6 REQ'D.)                    |
| 24          | 0945-00904-0000 | 5 POSITION FUSE HOLDER                                    |
|             | 0017-00003-0263 | SLO-BLO FUSE — 4A., 250V.                                 |
|             | 0017-00003-0217 | SLO-BLO FUSE — 2.5A., 250V. (2 REQ'D.)                    |
|             | 0017-00003-0007 | SLO-BLO FUSE — 3A., 250V. (2 REQ'D.)                      |
|             | 0945-00903-0000 | FUSE HOLDER BARRIER                                       |
|             | A945-00022-0000 | HEATSINK & DIODE ASSY.                                    |
|             | 0017-00101-0067 | #6 x 3/8 PHIL. PAN HD. SCR. (2 REQ'D.)                    |
| 25          | 0017-00101-0780 | #6 x 1/2 PHIL. PAN HD. SCREW (2 REQ'D.)                   |
|             | 0017-00021-0629 | 5 POSITION TERMINAL STRIP — (UNDER CHASSIS)               |
|             | A945-00019-0000 | LINE CORD ASSY. — 115V. (NOT SHOWN)                       |
| 26          | A945-00030-0500 | CONNECTOR & CABLE ASSY.                                   |
| 27          | 0017-00101-0660 | #10-32 x 3/4 PAN HD. SCREW                                |
|             | 0017-00104-0107 | #10 FLAT WASHER   |
|             | 0017-00103-0081 | #10-32 HEX NUT W/SEMS                                     |

FRONT DOOR ASSEMBLY - U.S.A. 25¢



**FRONT DOOR ASSEMBLY — U.S.A. 25¢ — PARTS LIST**

*ORDER BY PART NUMBER ONLY*

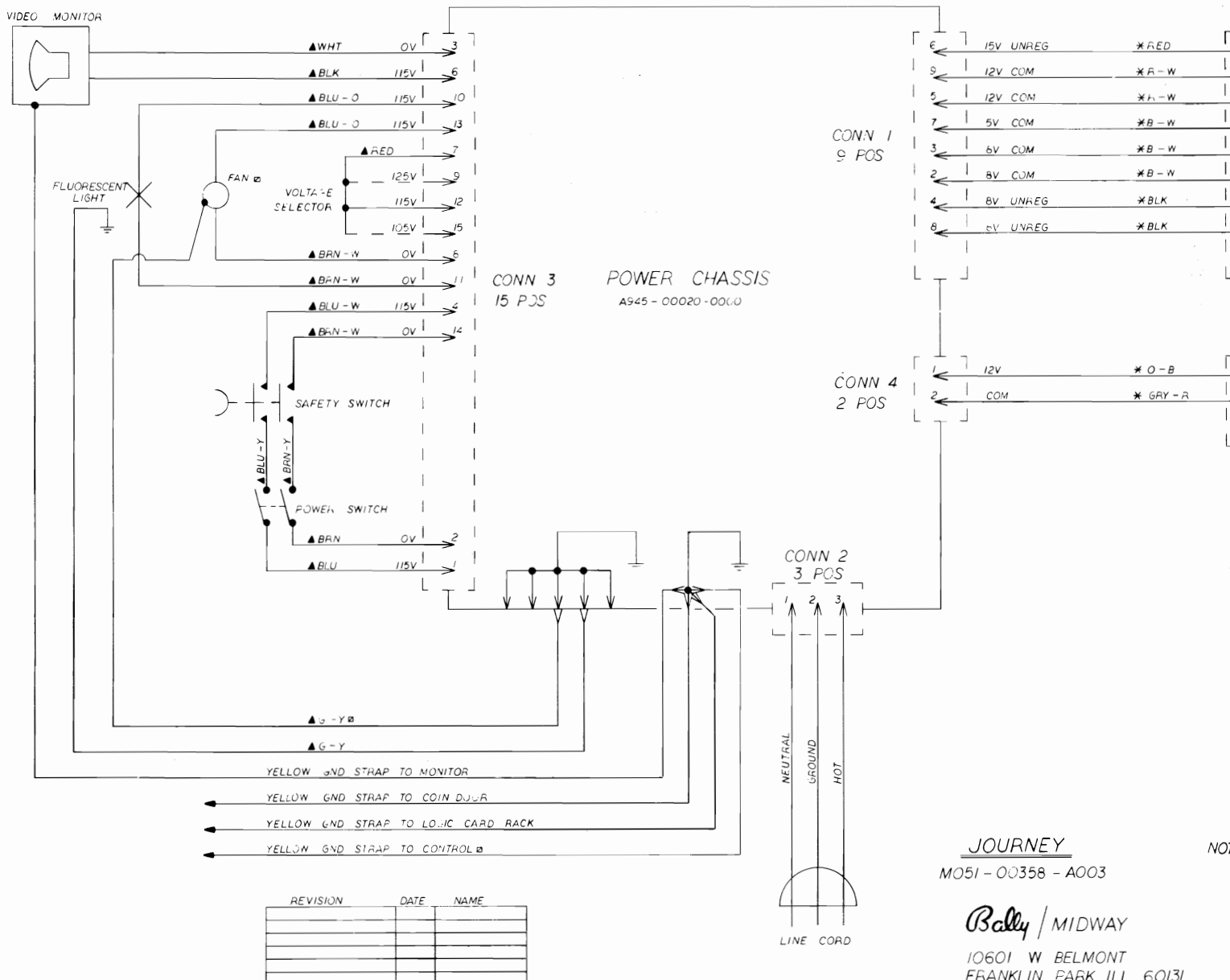
| ITEM | PART NO.        | DESCRIPTION   |
|------|-----------------|---|
| 1    | 0090-00002-04BK | DOUBLE ENTRY COIN DOOR FRAME                          |
| 2    | 0017-00101-0121 | #6-32 x 5/16 PHIL. TRS. HD. SCR. (3 REQ'D.)           |
| 3    | A090-00073-02BK | DOUBLE ENTRY COIN DOOR W/DRESS PLATE                  |
| 4    | 0017-00101-0123 | #8 x 1/4 UNSLOT. HEX HD. SCREW (12 REQ'D.)            |
| 5    | 0017-00007-0019 | KEY HOOK  |
| 6    | 0017-00103-0059 | PUSH NUT (4 REQ'D.)                                   |
| 7    | 0090-00912-0000 | COIN ENTRY PLATE — 25¢ (2 REQ'D.)                     |
| 8    | A097-00005-0000 | DOOR LOCK & KEY W/SCREW & NUT (OR)                    |
| 8    | A097-00006-0000 | DOOR LOCK & KEY W/SCREW & NUT                         |
| 9    | 0090-00128-00XF | DOOR TILT SWITCH BRKT.                                |
| 10   | 0017-00005-0041 | DOOR CAM  |
| 11   | A090-00095-0000 | DOOR TILT SWITCH                                      |
| 12   | 0090-00126-03XF | SWITCH BACK-UP PLATE                                  |
| 13   | 0017-00101-0525 | #5-40 x 9/16" PHIL. HD. M.S. (2 REQ'D.)               |
|      | A090-00096-0000 | DOOR TILT SWITCH & BRKT. ASSY. (ITEMS 9 & 11 THRU 13) |
| 14   | 0090-00903-9500 | 25¢ WINDOW (2 REQ'D.)                                 |
| 15   | 0090-00143-00XF | COIN PLEX RETAINER                                    |
| 16   | 0017-00003-0219 | 12 VOLT LAMP — G.E. #194 (2 REQ'D.)                   |
| 17   | 0017-00031-0048 | WEDGE SOCKET W/BRKT. (2 REQ'D.)                       |
| 18   | A090-00100-0000 | BRKT. ASSY.   |
| 19   | 0017-00103-0084 | #6-32 HEX NUT W/SEMS (4 REQ'D.)                       |
| 20   | A090-00089-0000 | COIN METER W/DIODE                                    |
| 21   | 0017-00101-0124 | #6 x 1/4 UNSLOT. HEX HD. SCR. (4 REQ'D.)              |
| 25   | 0090-00911-0000 | INSULATOR (2 REQ'D.)                                  |
| 26   | A090-00112-0000 | COIN CHUTE & INSULATOR ASSY. (2 REQ'D.)               |
| 27   | 0010-00134-0000 | SPRING  |
| 28   | 0010-00181-0000 | SPRING  |
| 29   | 0017-00007-0083 | 1/8 x 1-5/8 ROLL PIN                                  |
| 30   | 0090-00129-00XF | PIVOT POST  |
| 31   | 0090-00167-00XF | PIVOT LEVER   |
| 32   | 0090-00182-00XF | REJECT LEVER  |
| 33   | 0017-00100-0018 | E-RING  |
|      | A090-00088-0000 | REJECT LEVER ASSY. (2 REQ'D.) (ITEMS 30 THRU 33)      |
| 34   | A090-00105-0000 | COIN ACCEPTOR FRAME ASSY. (2 REQ'D.)                  |
| 35   | 0017-00005-0003 | COIN ACCEPTOR W/STRING CUTTER (2 REQ'D.) (OR)         |
| 35   | 0017-00005-0211 | COIN ACCEPTOR W/ANTI STRING DEVICE (2 REQ'D.) (OR)    |
| 35   | 0017-00005-0214 | COIN ACCEPTOR W/STRING CUTTER (2 REQ'D.)              |
| 36   | A090-00064-0000 | ANTI-PENNY DEVICE                                     |
| 37   | 0017-00101-0099 | #6 x 1/4 SLT. HEX HD. M.S. (2 REQ'D.)                 |
| 38   | 0090-00162-00XF | COIN SWITCH MTG. BRKT.                                |
| 39   | 0017-00005-0203 | COIN SWITCH CHUTE                                     |
| 40   | 0017-00005-0195 | COIN SWITCH   |
| 41   | 0010-00599-0000 | COIN SWITCH WIRE                                      |
| 42   | 0017-00007-0015 | PUSH-ON RING  |
|      | A090-00059-0400 | COIN SWITCH & WIRE ASSY. (ITEMS 40 THRU 42)           |
| 43   | 0017-00101-0147 | #4-40 x 3/4 PHIL. PAN. HD. M.S. (2 REQ'D.)            |
|      | A090-00077-0000 | COIN GUIDE & SWITCH ASSY. (ITEMS 38 THRU 43)          |



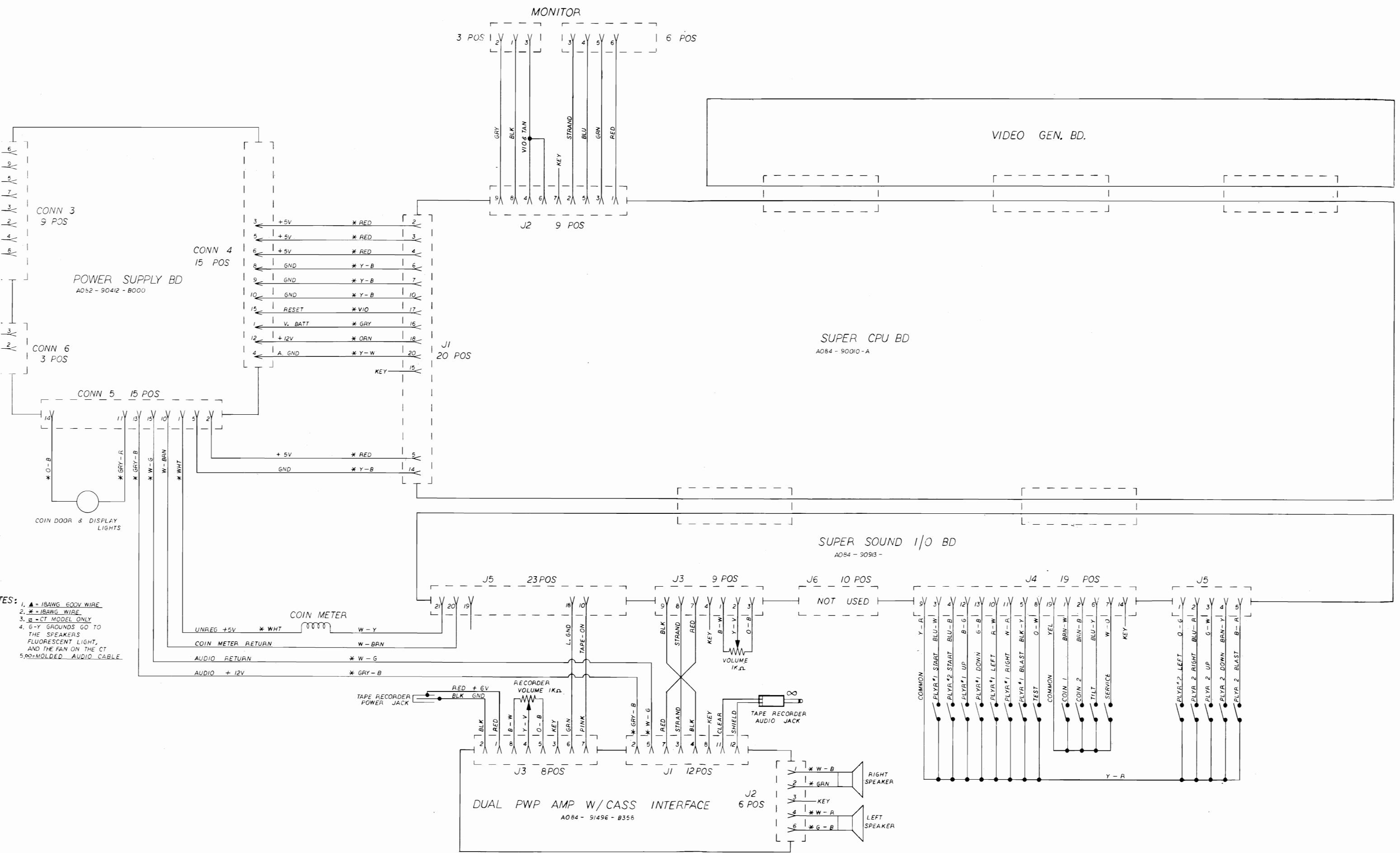
## **III. Wiring Diagrams & Schematics**







NO:



- NOTES:
- ▲ = 18AWG EOOD WIRE
  - \* = 18AWG WIRE
  - = CT MODEL ONLY
  - G-Y GROUNDS GO TO THE SPEAKERS, FLUORESCENT LIGHT, AND THE FAN ON THE CT
  - 5.00=MOLDED AUDIO CABLE

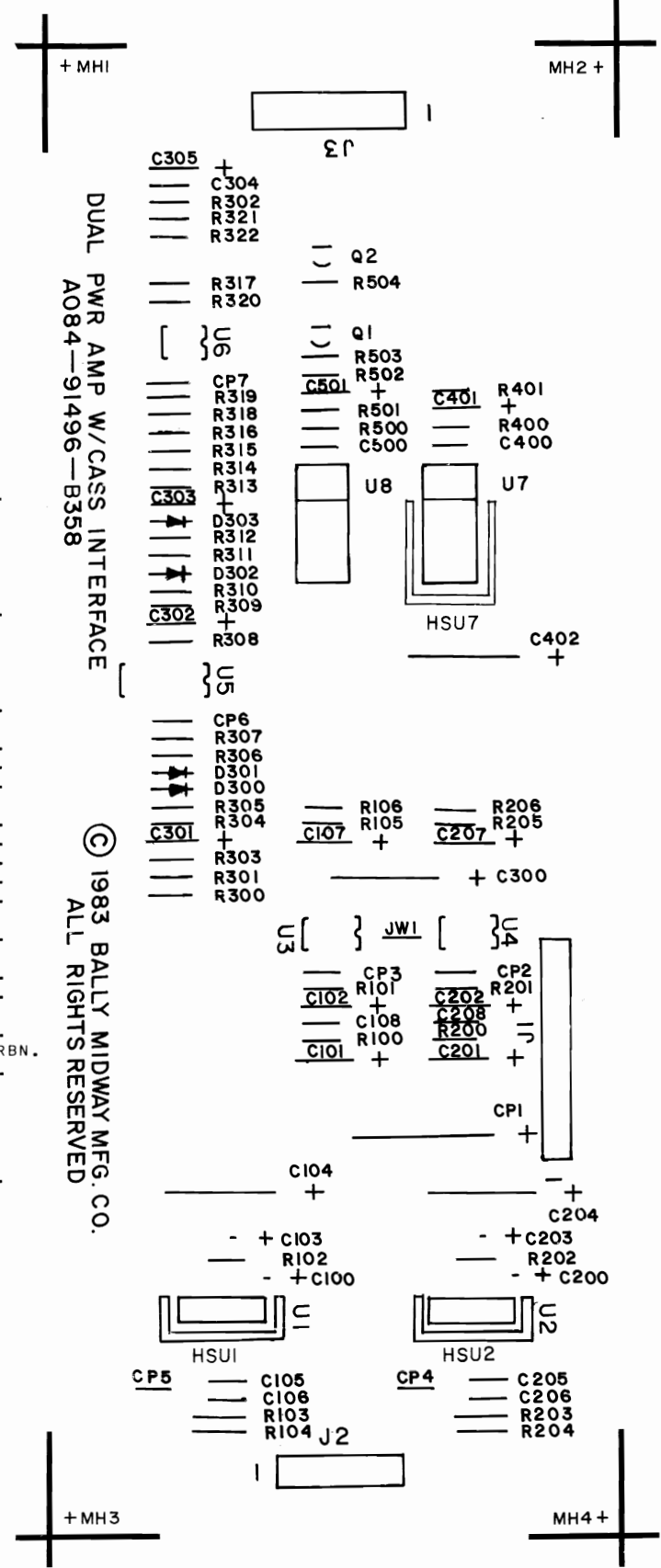
DESIGNATION LIST

| DESIGNATION NO.               | DESCRIPTION                  |
|-------------------------------|------------------------------|
| C100-C102                     | 4.7 MF TANT.                 |
| C103                          | 22 MF TANT.                  |
| C104                          | 470 MF ELECT.                |
| C105, C106                    | .1 MF CER.                   |
| C107                          | 1 MF TANT.                   |
| C108                          | 680 PF CER.                  |
| C200-C202                     | 4.7 MF TANT.                 |
| C203                          | 22 MF TANT.                  |
| C204                          | 470 MF ELECT.                |
| C205, C206                    | .1 MF CER.                   |
| C300                          | 100 MF ELECT.                |
| C301-C303                     | 10 MF TANT.                  |
| C304                          | .1 MF CER.                   |
| C305                          | 10 MF TANT.                  |
| C400                          | .1 MF CER.                   |
| C401                          | 4.7 MF TANT.                 |
| C402                          | 100 MF ELECT.                |
| C500                          | .1 MF CER.                   |
| C501                          | 1 MF TANT.                   |
| CP1                           | 220 MF ELECT.                |
| CP3-CP7                       | .1 MF CER.                   |
| R100                          | 8.2K OHM 1/4W 5% CRBN.       |
| R101                          | 3K OHM 1/4W 5% CRBN.         |
| R102                          | 82 OHM 1/4W 5% CRBN.         |
| R103, R104                    | 1 OHM 1/2W 5% CRBN.          |
| R105                          | 24K OHM 1/4W 5% CRBN.        |
| R106                          | 75K OHM 1/4W 5% CRBN.        |
| R200                          | 8.2K OHM 1/4W 5% CRBN.       |
| R201                          | 3K OHM 1/4W 5% CRBN.         |
| R202                          | 82 OHM 1/4W 5% CRBN.         |
| R203, R204                    | 1 OHM 1/2W 5% CRBN.          |
| R300-R303                     | 1M OHM 1/4W 5% CRBN.         |
| R304                          | 220K OHM 1/4W 5% CRBN.       |
| R305                          | 33K OHM 1/4W 5% CRBN.        |
| R306                          | 4.7M OHM 1/4W 5% CRBN.       |
| R307                          | 2.7M OHM 1/4W 5% CRBN.       |
| R308                          | 1.5M OHM 1/4W 5% CRBN.       |
| R309                          | 82K OHM 1/4W 5% CRBN.        |
| R310                          | 1.5K OHM 1/4W 5% CRBN.       |
| R311                          | 160K OHM 1/4W 5% CRBN.       |
| R312                          | 620K OHM 1/4W 5% CRBN.       |
| R313                          | 1.5K OHM 1/4W 5% CRBN.       |
| R314                          | 1.5M OHM 1/4W 5% CRBN.       |
| R315                          | 1M OHM 1/4W 5% CRBN.         |
| R316                          | 220K OHM 1/4W 5% CRBN.       |
| R317                          | 10K OHM 1/4W 5% CRBN.        |
| R318                          | 5.6M OHM 1/4W 5% CRBN.       |
| R319                          | 4.7M OHM 1/4W 5% CRBN.       |
| R320                          | 220 OHM 1/4W 5% CRBN.        |
| R321                          | 1.6K OHM 1/4W 5% CRBN.       |
| R322                          | 390 OHM 1/4W OHM 5% CRBN.    |
| R400                          | 1.5K OHM 1/4W 5% CRBN.       |
| R401                          | 240 OHM 1/4W 5% CRBN.        |
| R500                          | 220 OHM 1/4W 5% CRBN.        |
| R501                          | 39 OHM 1/4W 5% CRBN.         |
| R502                          | 10K OHM 1/4W 5% CRBN.        |
| R503                          | 560 OHM 1/4W 5% CRBN.        |
| R504                          | 1.5K OHM 1/4W 5% CRBN.       |
| D300-D303                     | 1N4148                       |
| Q1                            | 2N4403 OR 2N2905             |
| Q2                            | 2N3904                       |
| U1, U2                        | MB3730                       |
| U3                            | MC3340                       |
| U5                            | LM3900                       |
| U6                            | 4N28                         |
| U7                            | LM317T                       |
| U8                            | 7805                         |
| H.S.U1, H.S.U2                | HEATSINK ASSY                |
| H.S.U7                        | HEATSINK                     |
| J1                            | 8 PIN KK. 156<br>OMIT PIN 3  |
| J2                            | 6 PIN KK. 156<br>OMIT PIN 3  |
| J3                            | 12 PIN KK. 156<br>OMIT PIN 8 |
| JW1                           | JUMPER WIRE                  |
| MH1-MH4                       | 1/4" SPACER FOR<br>#8 SCREW  |
| MHU8                          | SNAP                         |
| DUAL PWR AMP<br>W/CASS INTFC. | A080-91496-B358              |

CROSS REFERENCE LIST

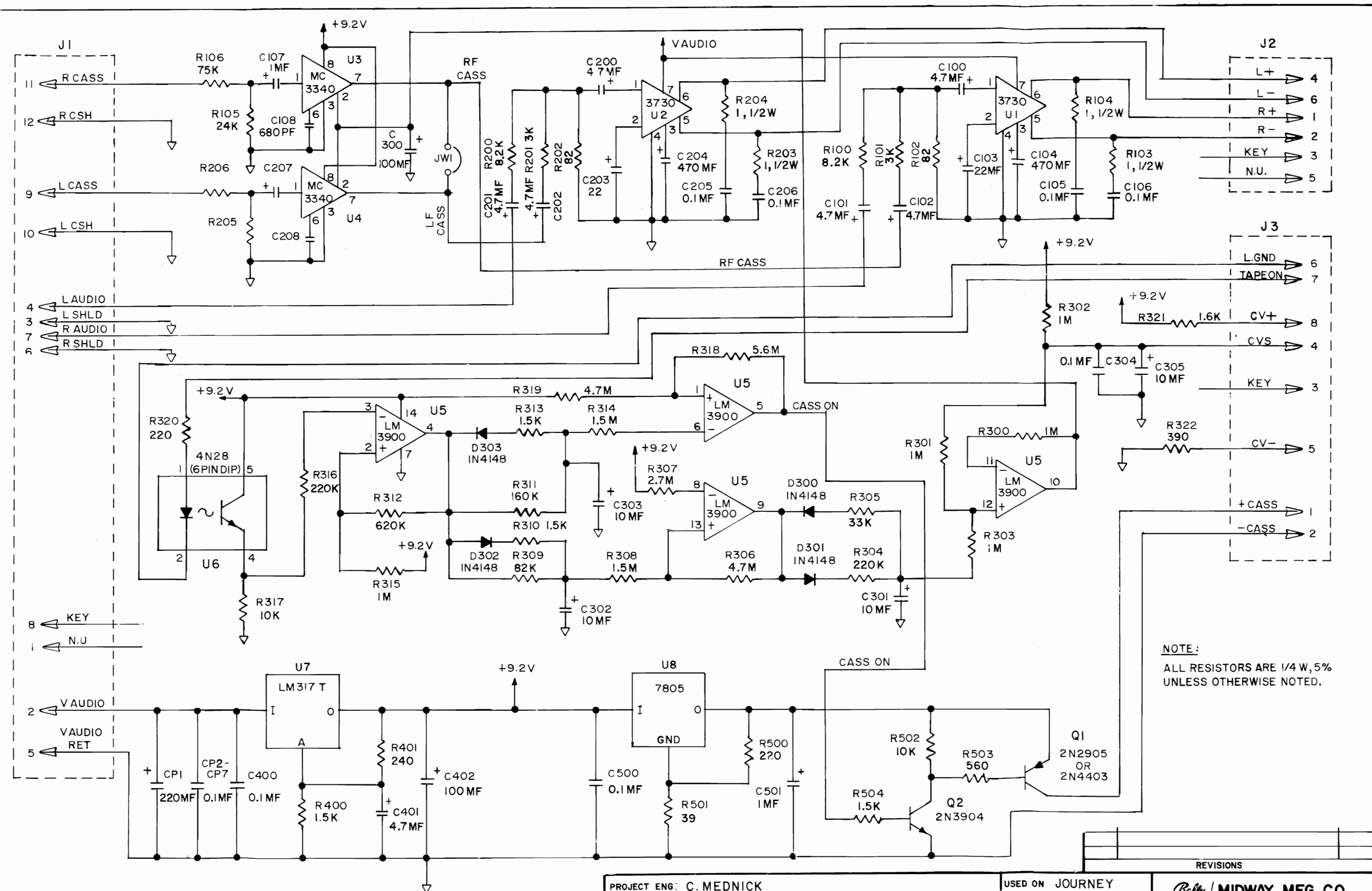
| DESCRIPTION                   | QTY | DESIGNATION NO.                                 | PART NOS.       |
|-------------------------------|-----|---|-----------------|
| 680 PF AX. CER.               | 1   | C108  | 0358-00800-0002 |
| .1 MF 50V AX. CER.            | 12  | C105-C106, C205-C206, C304, C400, C500, CP3-CP7 | 0986-00800-1100 |
| 1 MF 20V AX. TANT.            | 2   | C107, C501                                      | 0986-0800-1400  |
| 4.7 MF 25V RD. TANT.          | 7   | C100-C102, C200-C202, C401                      | 0986-00800-3100 |
| 10 MF 25V AX. TANT.           | 4   | C301-C303, C305                                 | 0986-00800-0700 |
| 22 MF 16V RD. TANT.           | 2   | C103, C203                                      | 0986-00800-1600 |
| 100 MF 16V AX. ELECT.         | 2   | C300, C402                                      | 0358-00800-0000 |
| 220 MF 25V AX. ELECT.         | 1   | CP1   | 0986-00800-3200 |
| 470 MF 6V AX. ELECT.          | 2   | C104, C204                                      | 0986-00800-1700 |
| 1 OHM 1/2W 5%                 | 4   | R103, R104, R203, R204                          | 0062-02603-1XXX |
| 39 OHM 1/4W 5%                | 1   | R501  | 0062-080B3-1XXX |
| 82 OHM 1/4W 5%                | 2   | R102, R202                                      | 0062-104B3-1XXX |
| 220 OHM 1/4W 5%               | 2   | R320, R500                                      | 0062-133B3-1XXX |
| 240 OHM 1/4W 5%               | 1   | R401  | 0062-135B3-1XXX |
| 390 OHM 1/4W 5%               | 1   | R322  | 0062-150B3-1XXX |
| 560 OHM 1/4W 5%               | 1   | R503  | 0062-162B3-1XXX |
| 1.5K OHM 1/4W 5%              | 4   | R310, R313, R400, R504                          | 0062-187B3-1XXX |
| 1.6K OHM 1/4W 5%              | 1   | R321  | 0062-189B3-1XXX |
| 3K OHM 1/4W 5%                | 2   | R101, R201                                      | 0062-201B3-1XXX |
| 8.2K OHM 1/4W 5%              | 2   | R100, R200                                      | 0062-223B3-1XXX |
| 10K OHM 1/4W 5%               | 2   | R317, R502                                      | 0062-227B3-1XXX |
| 24K OHM 1/4W 5%               | 1   | R105  | 0062-245B3-1XXX |
| 33K OHM 1/4W 5%               | 1   | R305  | 0062-251B3-1XXX |
| 75K OHM 1/4W 5%               | 1   | R106  | 0062-269B3-1XXX |
| 82K OHM 1/4W 5%               | 1   | R309  | 0062-271B3-1XXX |
| 160K OHM 1/4W 5%              | 1   | R311  | 0062-285B3-1XXX |
| 220K OHM 1/4W 5%              | 2   | R304, R316                                      | 0062-291B3-1XXX |
| 620K OHM 1/4W 5%              | 1   | R312  | 0062-313B3-1XXX |
| 1M OHM 1/4W 5%                | 5   | R300-R303, R315                                 | 0062-323B3-1XXX |
| 1.5M OHM 1/4W 5%              | 2   | R308, R314                                      | 0062-331B3-1XXX |
| 2.7M OHM 1/4W 5%              | 1   | R307  | 0062-343B3-1XXX |
| 4.7M OHM 1/4W 5%              | 2   | R306, R319                                      | 0062-355B3-1XXX |
| 5.6M OHM 1/4W 5%              | 1   | R318  | 0062-359B3-1XXX |
| 1N4148                        | 4   | D300-D303                                       | 0986-00801-0200 |
| 2N3904                        | 1   | Q2  | 0358-00802-0001 |
| 2N4403 OR 2N2905              | 1   | Q1  | 0358-00802-0000 |
| 4N28                          | 1   | U6  | 0358-00804-0000 |
| 7805                          | 1   | U8  | 0358-00803-0001 |
| LM317T                        | 1   | U7  | 0358-00803-0000 |
| LM3900                        | 1   | U5  | 0986-00803-4900 |
| MB3730                        | 2   | U1, U2  | 0066-188XX-XX4X |
| MC3340                        | 1   | U3  | 0358-00803-0002 |
| 6 PIN KK156<br>OMIT PIN 3     | 1   | J2  | 3000-16367-0613 |
| 8 PIN KK156<br>OMIT PIN 3     | 1   | J1  | 3000-16367-0810 |
| 12 PIN KK156<br>OMIT PIN 8    | 1   | J3  | 3000-16367-1213 |
| JUMPER WIRE                   | 1   | JW1   | 0986-00804-4000 |
| HEATSINK                      | 1   | HSU7  | 0358-00804-0001 |
| HEATSINK ASSY                 | 2   | HSU1, HSU2                                      | A986-00010-0000 |
| SNAP                          | 1   | MHU8  | 0017-00007-0134 |
| 1/4" SPACER FOR<br>#8 SCREW   | 4   | MH1-MH4   | 0017-00042-0320 |
| DUAL PWR AMP<br>W/CASS INTFC. | 1   |   | A080-91496-B358 |

DUAL PWR AMP W/CASS INTERFACE  
A084-91496-B358  
© 1983 BALLY MIDWAY MFG. CO.  
ALL RIGHTS RESERVED



REVISIONS

|                                 |  |                 |  |                         |                     |
|---------------------------------|--|-----------------|--|-------------------------|---------------------|
| PROJECT ENG: C.MEDNICK          |  | USED ON JOURNEY |  | Bally / MIDWAY MFG. CO. |                     |
| DO NOT SCALE DWG                |  | HEAT TREAT      | SCALE FULL                                 | NO. REQ'D 1 PER         |                     |
| DIM TOLERANCES UNLESS SPECIFIED |  | MAT'L.          | DUAL PWR AMP W/CASS INTERFACE ASSEMBLY DWG |                         | PART NO.            |
| UNIFORMITY TYP. 00              |  | FINISH          | A084-91496-B358                            |                         | M051 - 00358 - B008 |
| HOLE DIA + .007 000             |  | DATE 04/05/83   |  |                         |                     |

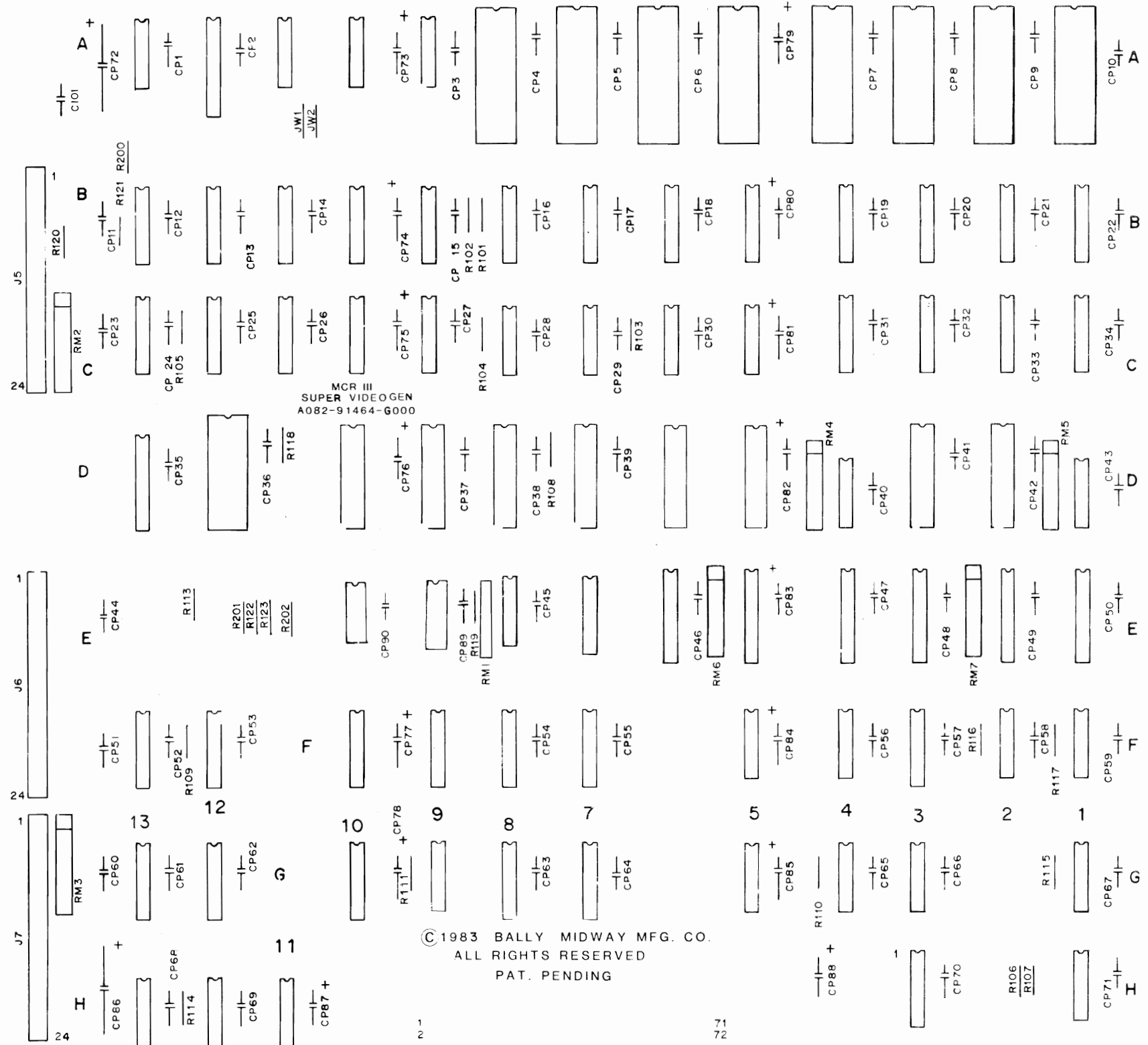


NOTE:  
ALL RESISTORS ARE 1/4 W, 5%  
UNLESS OTHERWISE NOTED.

|                                  |  |                 |                               |                         |                     |
|----------------------------------|--|-----------------|-------------------------------|-------------------------|---------------------|
| PROJECT ENG: C. MEDNICK          |  | USED ON JOURNEY |                               | Bally / MIDWAY MFG. CO. |                     |
| DO NOT SCALE DWG.                |  | HEAT TREAT      | SCALE FULL                    | FRANKLIN PK. ILL.       |                     |
| DIM. TOLERANCES UNLESS SPECIFIED |  | MAT'L.          | NO. REQ'D 1 PER               | PART NO.                |                     |
| CONCENTRICITY ± 0.005            |  | FINISH          | DUAL PWR AMP W/CASS INTERFACE |                         | M051 - 00358 - B009 |
| FRACTIONAL ± 0.005               |  |                 | SCHEMATIC DWG                 |                         |                     |
| DECIMAL ± 0.005                  |  |                 | A084-91496 - B358             |                         |                     |
| HOLE DIA. ± 0.02 0.005           |  | DATE 04/07/83   |                               |                         |                     |

DESIGNATION LIST

| DESIGNATION         | DESCRIPTION        | DESIGNATION                 | DESCRIPTION                     |
|---------------------|--------------------|-----------------------------|---------------------------------|
| C101                | .01 MF AX CER      | IC 1D                       | 7420                            |
| CP1-CP71            | .01 MF AX CER      | IC 2D                       | 93479                           |
| CP72,CP86           | 100 MF AX ELECT.   | IC 3D                       | 93479                           |
| CP73-CP85,CP87,CP88 | 10 MF 25V AX TANT. | IC 4D                       | 7420                            |
| CP89,CP90           | .01MF AX. CER.     | IC 5D                       | 93479                           |
|                     |                    | IC 6D                       | 93479                           |
| R101-R111,R113-R121 | 1K OHM 1/4W        | IC 7D                       | 93422                           |
| R122,R123           | 560 OHM 1/4W       | IC 8D                       | 93422                           |
| R200                | 100 OHM 1/4W       | IC 9D                       | 93422                           |
| R201,R202           | 82 OHM 1/4W        | IC 10D                      | 93422                           |
|                     |                    | IC 12D                      | STAT. RAM                       |
|                     |                    | IC 13D                      | 74LS245                         |
| RM1                 | 82 8 PIN SIP       | IC 1E                       | 74LS374                         |
| RM 2                | 1K 10 PIN SIP      | IC 2E                       | 74LS374                         |
| RM 3                | 1K 10 PIN SIP      | IC 3E                       | 74LS374                         |
| RM 4                | 1K 9 PIN SIP       | IC 4E                       | 74LS374                         |
| RM 5                | 1K 9 PIN SIP       | IC 5E                       | 74LS374                         |
| RM 6                | 1K 9 PIN SIP       | IC 6E                       | 74LS374                         |
| RM 7                | 1K 9 PIN SIP       | IC 7E                       | 74LS258                         |
|                     |                    | IC 8E                       | 74LS00                          |
| IC 1A               | EPROM              | IC 9E                       | 74S161                          |
| IC 2A               | EPROM              | IC 10E                      | 74S04                           |
| IC 3A               | EPROM              | IC 1F                       | 74LS74                          |
| IC 4A               | EPROM              | IC 2F                       | 74LS74                          |
| IC 5A               | EPROM              | IC 3F                       | 74LS157                         |
| IC 6A               | EPROM              | IC 4F                       | 74LS00                          |
| IC 7A               | EPROM              | IC 5F                       | 74LS32                          |
| IC 8A               | EPROM              | IC 7F                       | 74LS283                         |
| IC 9A               | 74LS86             | IC 8F                       | 74LS175                         |
| IC 10A              | 74LS86             | IC 9F                       | 74LS157                         |
| IC 11A              | 74LS174            | IC 10F                      | 74LS157                         |
| IC 12A              | 74LS273            | IC 12F                      | 74LS157                         |
| IC 13A              | 74S04              | IC 13F                      | 74LS157                         |
|                     |                    | IC 1G                       | 74LS74                          |
| IC 1B               | 74LS194            | IC 3G                       | 74S08                           |
| IC 2B               | 74LS194            | IC 4G                       | 74LS30                          |
| IC 3B               | 74LS194            | IC 5G                       | 74LS30                          |
| IC 4B               | 74LS194            | IC 7G                       | 74LS283                         |
| IC 5B               | 74LS194            | IC 8G                       | 74LS174                         |
| IC 6B               | 74LS194            | IC 9G                       | 74LS10                          |
| IC 7B               | 74LS194            | IC 10G                      | 74LS157                         |
| IC 8B               | 74LS194            | IC 12G                      | 74LS157                         |
| IC 9B               | 74LS161            | IC 13G                      | 74LS157                         |
| IC 10B              | 74LS174            |                             |                                 |
| IC 11B              | 74LS174            | IC 1H                       | 74LS32                          |
| IC 12B              | 74S283             | IC 3H                       | 74LS258                         |
| IC 13B              | 74S283             | IC 11H                      | 7420                            |
|                     |                    | IC 12H                      | 7420                            |
|                     |                    | IC 13H                      | 74LS74                          |
| IC 1C               | 74LS258            | ICS1A-ICS8A                 | 28 PIN SOCKET                   |
| IC 2C               | 74LS258            | ICS D2,D3,D5-D10            | 22 PIN SOCKET                   |
| IC 3C               | 74LS258            | ICS D12                     | 24 PIN SOCKET                   |
| IC 4C               | 74LS258            |                             |                                 |
| IC 5C               | 74LS00             | J5,J6,J7                    | KK100 RT. ANGLE<br>24 PIN CONN. |
| IC 6C               | 74LS04             |                             |                                 |
| IC 7C               | 74LS74             | JW 1, JW2                   | JUMPER WIRE                     |
| IC 8C               | 74LS30             | MCR III SUPER<br>VIDEO GEN. | A082-91464-G000                 |
| IC 9C               | 74LS169            |                             |                                 |
| IC 10C              | 74LS169            |                             |                                 |
| IC 11C              | 74LS169            |                             |                                 |
| IC 12C              | 74LS169            |                             |                                 |
| IC 13C              | 74S133             |                             |                                 |



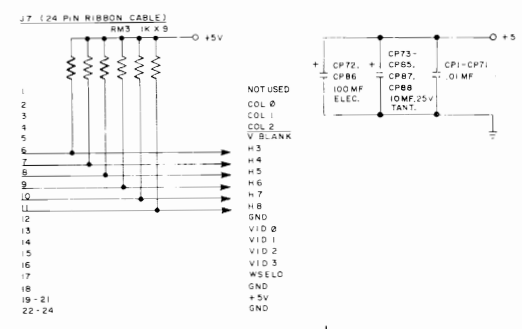
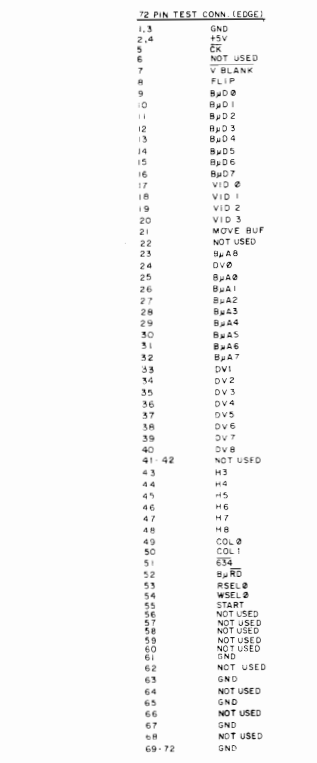
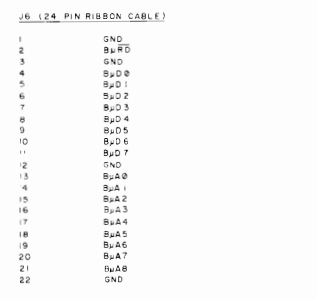
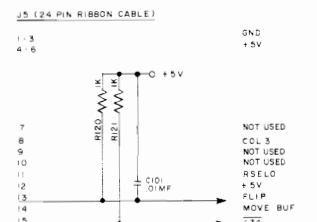
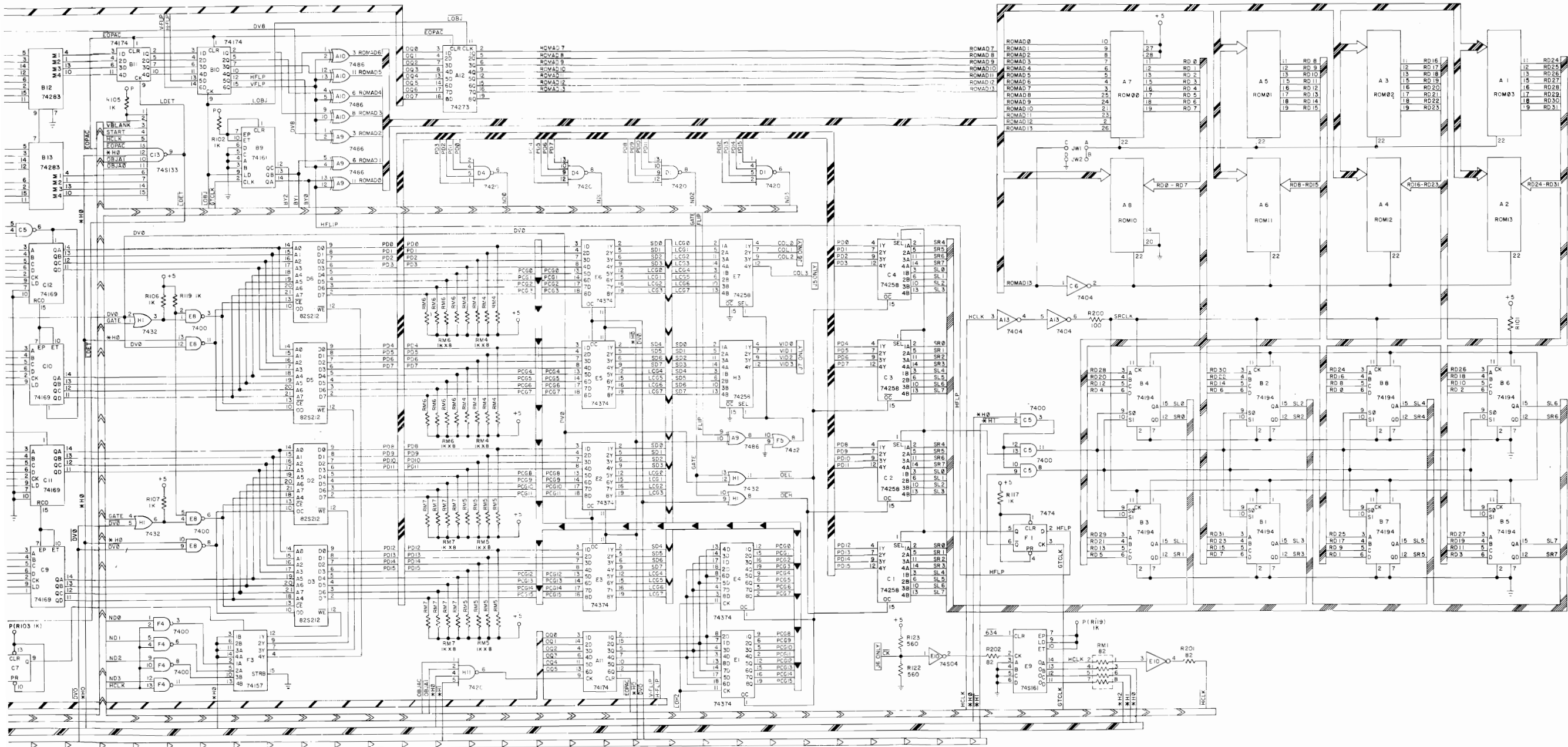
CROSS REFERENCE LIST

| <u>DESCRIPTION</u>              | <u>QTY</u> | <u>DESIGNATION NO.</u>                  | <u>PART NOS.</u> |
|---------------------------------|------------|---|------------------|
| CAP .01MF                       | 74         | C101, CP1-CP71,<br>CP89, CP90           | 0986-00800-2500  |
| CAP 10MF                        | 15         | CP73-CP85, CP87,<br>CP88                | 0986-00800-2400  |
| CAP 100MF                       | 2          | CP72, CP86                              | 0986-00800-1800  |
| 82 OHM 1/4 W RES.               | 2          | R201, R202                              | 0062-104B3-1XXX  |
| 100 OHM 1/4 W RES.              | 1          | R200                                    | 0062-110B3-1XXX  |
| 1K OHM 1/4 W RES.               | 20         | R101-R111, R113-<br>R121                | 0062-179B3-1XXX  |
| 560 OHM 1/4 W RES.              | 2          | R122, R123                              | 0062-162B3-1XXX  |
| 8 PIN SIP 82 OHM                | 1          | RM1                                     | 0333-00804-0004  |
| 9 PIN SIP 1K OHM                | 4          | RM4-RM7                                 | 0304-00804-0002  |
| 10 PIN SIP 1K OHM               | 2          | RM2, RM3                                | 0986-00804-1000  |
| 74LS00                          | 3          | C5, F4, E8                              | 0304-00803-0010  |
| 74S04                           | 2          | A13, E10                                | 0304-00803-0011  |
| 74LS04                          | 1          | C6                                      | 0304-00803-0012  |
| 74S08                           | 1          | G3                                      | 0304-00803-0037  |
| 74LS10                          | 1          | G9                                      | 0304-00803-0014  |
| 7420                            | 4          | D1, D4, H11, H12                        | 0304-00803-0015  |
| 74LS30                          | 3          | C8, G4, G5                              | 0304-00803-0016  |
| 74LS32                          | 2          | F5, H1                                  | 0304-00803-0017  |
| 74LS74                          | 5          | C7, F1, F2, G1, H13                     | 0304-00803-0018  |
| 74LS86                          | 2          | A9, A10                                 | 0304-00803-0019  |
| 74S133                          | 1          | C13                                     | 0304-00803-0020  |
| 74LS157                         | 8          | F3, F9, F10, F12, F13,<br>G10, G12, G13 | 0304-00803-0021  |
| 74S161                          | 1          | E9                                      | 0304-00803-0038  |
| 74LS161                         | 1          | B9                                      | 0304-00803-0022  |
| 74LS169                         | 4          | C9-C12                                  | 0304-00803-0023  |
| 74LS174                         | 4          | A11, B10, B11, G8                       | 0304-00803-0024  |
| 74LS175                         | 1          | F8                                      | 0304-00803-0025  |
| 74LS194                         | 8          | B1-B8                                   | 0304-00803-0026  |
| 74LS245                         | 1          | D13                                     | 0304-00803-0027  |
| 74LS258                         | 6          | C1-C4, E7, H3                           | 0304-00803-0028  |
| 74LS273                         | 1          | A12                                     | 0304-00803-0029  |
| 74S283                          | 2          | B12, B13                                | 0304-00803-0039  |
| 74LS283                         | 2          | F7, G7                                  | 0304-00803-0030  |
| 74LS374                         | 6          | E1-E6                                   | 0304-00803-0031  |
| 93422                           | 4          | D7-D10                                  | 0304-00803-0032  |
| 93479                           | 4          | D2, D3, D5, D6                          | 0304-00803-0033  |
| STAT. RAM                       | 1          | D12                                     | 0304-00803-0034  |
| 28 PIN SOCKET                   | 8          | ICS A1-A8                               | 0986-00804-0300  |
| 22 PIN SOCKET                   | 8          | ICS D2, D3, D5, D6,<br>D7-D10           | 0986-00804-0700  |
| 24 PIN SOCKET                   | 1          | ICS D12                                 | 0986-00804-1600  |
| KK100 RT. ANGLE<br>24 PIN CONN. | 3          | J5, J6, J7                              | 0986-00804-4700  |
| JUMPER WIRE                     | 2          | JW1, JW2                                | 0986-00805-0200  |
| MCR III SUPER VIDEO GEN.        |            |   | A082-91464-G000  |

|           |  |  |  |
|-----------|--|--|--|
|           |  |  |  |
|           |  |  |  |
| REVISIONS |  |  |  |

|                                 |                |                 |   |                                |                     |
|---------------------------------|----------------|-----------------|---|--------------------------------|---------------------|
| PROJECT ENG: R. PLOUSSARD       |                | USED ON JOURNEY |   | <b>Bally / MIDWAY MFG. CO.</b> |                     |
| DO NOT SCALE DWG.               |                | HEAT TREAT      | SCALE FULL  | FRANKLIN PK ILL                |                     |
| DIM TOLERANCES UNLESS SPECIFIED |                | MAT'L.          | NO. REQ'D 1 PER   | PART NO.                       |                     |
| CONCENTRICITY ± .005            | DRN <i>TBB</i> | FINISH          | SUPER VIDEO GEN. MCR III<br>ASSY DWG<br>A082-91464-G000 |                                | M051 - 00358 - A011 |
| FRACTIONAL ± .005               | CKD <i>Lat</i> |                 |   |                                |                     |
| DECIMAL ± .005                  | DATE 04/25/83  |                 |   |                                |                     |
| HOLE DIA + .002 - .005          |                |                 |   |                                |                     |



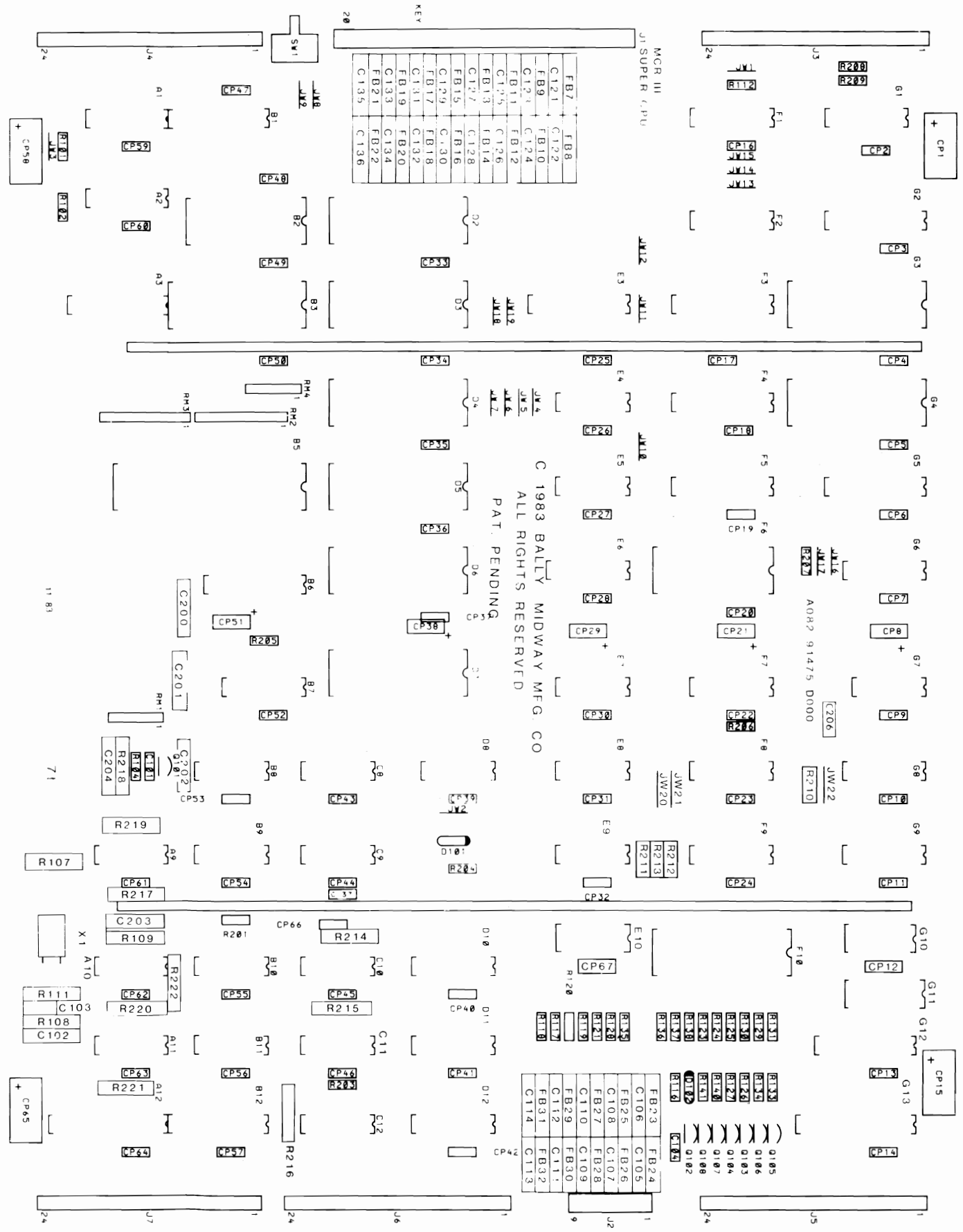


|                           |                     |                            |           |
|---------------------------|---------------------|----------------------------|-----------|
| PROJECT ENG. R. PLOUSSARD | DESIGNED BY MCR III | USED ON MCR III            | REVISIONS |
| DATE 04/15/63             | NO. REV. 1/HR       |                            |           |
| SCHEMATIC DWG.            |                     | MIDWAY MFG. CO.            |           |
| SUPER VIDEO GEN. MCR III  |                     | PART NO. MO51-00304 - 6006 |           |

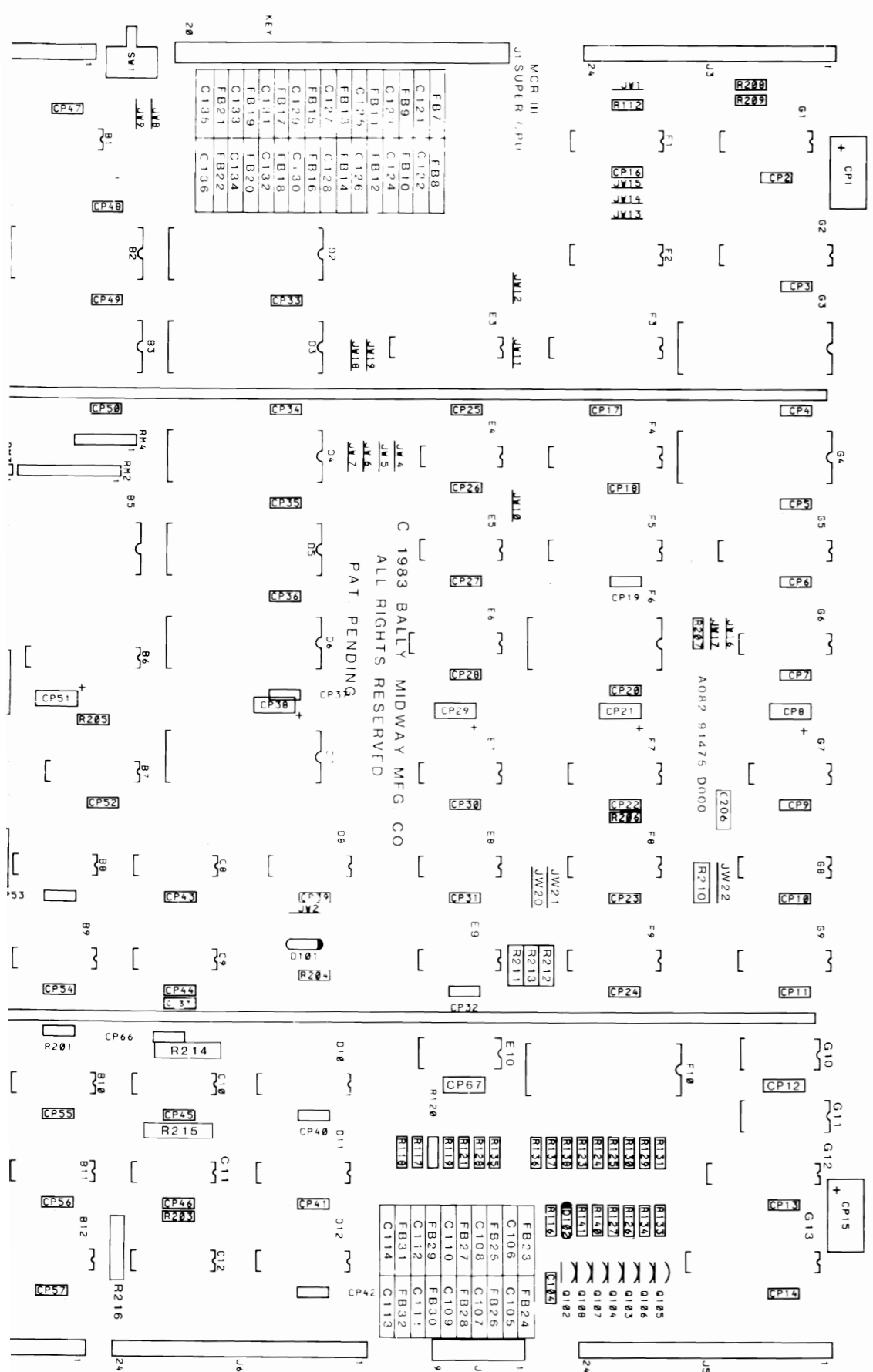


DESCRIPTION LIST

| DESIGNATION NO. | DESCRIPTION          | DESIGNATION NO. | DESCRIPTION           |
|-----------------|----------------------|-----------------|-----------------------|
| C101            | 33PF AX CER.         | B1              | 74LS244               |
| C102            | 0.1MF AX CER.        | B2              | CMOSRAM               |
| C103            | 0.1MF MYLAR          | B3              | MK3882                |
| C104            | 390PF AX CER.        | B5              | MK3880                |
| C105-C110       | 47PF AX CER.         | B6              | 74LS244               |
| C111-C114       | 820PF AX CER.        | B7              | 74LS133               |
| C121-C137       | 390PF AX CER.        | B8              | 74LS32                |
| C200            | 820PF AX CER.        | B9              | 74S04                 |
| C201,C202       | 390PF AX CER.        | B10             | 74LS74                |
| C203            | 100PF AX CER.        | B11             | 74LS32                |
| C204            | 0.1MF AX CER.        | B12             | V&H-T                 |
| C206            | 100PF AX CER.        |                 |                       |
| CP1             | 470MF 16V ELECT. AX. | C8              | 74LS08                |
| CP2-CP7         | 0.01MF 50V AX CER.   | C9              | 74LS74                |
| CP8             | 10.MF 25V AX TANT.   | C10             | 74S04                 |
| CP9-CP14        | 0.01MF 50V AX CER.   | C11,C12         | 74LS20                |
| CP15            | 470MF 16V ELECT. AX. |                 |                       |
| CP16-CP20       | 0.01MF 50V AX CER.   | D2              | EPROM                 |
| CP21            | 10 MF                | D3              | EPROM                 |
| CP22-CP28       | 0.01 MF              | D4              | EPROM                 |
| CP29            | 10 MF                | D5              | EPROM                 |
| CP30-CP37       | 0.01 MF              | D6              | EPROM                 |
| CP38            | 10 MF                | D7              | EPROM                 |
| CP39-CP50       | 0.01 MF              | D8              | 74LS04                |
| CP51            | 10 MF                | D10-D12         | 74LS157               |
| CP52-CP57       | 0.01 MF              |                 |                       |
| CP58            | 470 MF 16V ELECT AX. | E3              | NVR CONTROLLER        |
| CP59-CP64       | 0.01 MF              | E4,E5           | 74LS32                |
| CP65            | 470 MF               | E6              | 74LS138               |
| CP66            | 0.1 MF 50V AX CER.   | E7              | 74LS86                |
| CP67            | 0.01 MF              | E8              | 74LS27                |
| R101            | 4.7K OHM 1/4W CRBN.  | E9              | 74LS04                |
| R102            | 1K OHM 1/4W CRBN.    | E10             | 7406                  |
| R104            | 82K OHM 1/4W CRBN.   | F1              | 4053                  |
| R107            | 1K OHM 1/4W CRBN.    | F2              | 4017                  |
| R108            | 330 OHM 1/4W CRBN.   | F3              | 74LS245               |
| R109            | 1K OHM 1/4W CRBN.    | F4,F5           | 74LS273               |
| R111            | 330 OHM 1/4W CRBN.   | F6              | 6116                  |
| R112            | 4.7K OHM 1/4W CRBN.  | F7              | 74LS174               |
| R116            | 1K OHM 1/4W CRBN.    | F8,F9           | 74LS157               |
| R117,R118       | 560 OHM 1/4W CRBN.   | F10             | 93419                 |
| R119            | 100 OHM 1/4W CRBN.   |                 |                       |
| R120            | 820 OHM 1/4W CRBN.   | G1              | 74LS153               |
| R121            | 470 OHM 1/4W CRBN.   | G2              | 74LS273               |
| R123            | 510 OHM 1/4W CRBN.   | G3              | EPROM                 |
| R124            | 1K OHM 1/4W CRBN.    | G4              | EPROM                 |
| R125            | 2K OHM 1/4W CRBN.    | G5              | 74LS273               |
| R126,R127       | 10 OHM 1/4W CRBN.    | G6              | 74LS153               |
| R128            | 470 OHM 1/4W CRBN.   | G7              | 74LS86                |
| R129            | 1K OHM 1/4W CRBN.    | G8              | 74LS174               |
| R130            | 510 OHM 1/4W CRBN.   | G9              | 74LS157               |
| R131            | 2K OHM 1/4W CRBN.    | G10             | 7408                  |
| R133,R134       | 10 OHM 1/4W CRBN.    | G11             | 74LS157               |
| R135            | 470 OHM 1/4W CRBN.   | G12             | CUSTOM IC             |
| R136            | 510 OHM 1/4W CRBN.   | G13             | V-T GEN.              |
| R137            | 1K OHM 1/4W CRBN.    |                 |                       |
| R138            | 2K OHM 1/4W CRBN.    | FB7-FB32        | FERRITE BEAD          |
| R140,R141       | 10 OHM 1/4W CRBN.    | ICSA12          | 8 PIN IC SOCKET       |
| R201            | 1K OHM 1/4W CRBN.    | ICSA12A         | 16 PIN IC SOCKET      |
| R203-R207       | 1K OHM 1/4W CRBN.    | ICSB2           | 24 PIN IC SOCKET      |
| R208,R209       | 4.7K OHM 1/4W CRBN.  | ICSB3           | 28 PIN IC SOCKET      |
| R210            | 1K OHM 1/4W CRBN.    | ICSB5           | 40 PIN IC SOCKET      |
| R211-R213       | 3.9K OHM 1/4W CRBN.  | ICSB12          | 20 PIN IC SOCKET      |
| R214-R217       | 82 OHM 1/4 CRBN.     | ICSD2-D7        | 28 PIN IC SOCKET      |
| R218            | 62 OHM 1/4 CRBN.     | ICSE3           | 20 PIN IC SOCKET      |
| R219            | 82 OHM 1/4 CRBN.     | ICSF6           | 24 PIN IC SOCKET      |
| R220            | 47 OHM 1/4 CRBN.     | ICSF10          | 28 PIN IC SOCKET      |
| R221,R222       | 82 OHM 1/4 CRBN.     | ICSG3,ICSG4     | 28 PIN IC SOCKET      |
| RM1             | 4.7K 6 PIN SIP       | ICSG12          | 20 PIN IC SOCKET      |
| RM2,RM3         | 4.7K 10 PIN SIP      | ICSG13          | 8 PIN IC SOCKET       |
| RM4             | 4.7K 6 PIN SIP       | ICSG13A         | 16 PIN IC SOCKET      |
| D101            | 1N5817               | J1              | FMD. HDR..156 C       |
| D102            | 4148                 |                 | OMIT 15               |
| Q101            | 2N4403               | J2              | FMD. HDR..100 C       |
| Q102            | 2N4123               |                 | OMIT 3                |
| Q103-Q108       | MPSA70               | J3-J7           | KK100 RT ANGLE 24 PIN |
| A1              | 74LS161              | JW1-JW22        | ZERO OHM RESISTORS    |
| A2              | 74LS367              |                 | FLEX-PAC JUMPER       |
| A3              | 74LS245              | SW1             | SWITCH PC MOUNTING    |
| A9,A10          | 74S74                |                 |                       |
| A11             | 74S04                | CRYSTAL         | 19,968 MHZ CRYSTAL    |
| A12             | H-T                  | BB1,BB2         | BUS BAR               |



| DESCRIPTION          | QTY |
|----------------------|-----|
| 33PF AX CER.         | 1   |
| 47 PF AX CER.        | 6   |
| 100 PF AX CER.       | 2   |
| 390 PF AX CER.       | 20  |
| 820 PF AX CER.       | 5   |
| 0.01MF 50V AX CER.   | 57  |
| 0.1MF 100V MYLAR     | 1   |
| 0.1MF 50V AX CER.    | 3   |
| 10MF 25V AX TANT.    | 5   |
| 470 MF 16V AX ELECT. | 4   |
| 10 OHM 1/4W CRBN.    | 6   |
| 47 OHM 1/4W CRBN.    | 1   |
| 62 OHM 1/4W CRBN.    | 1   |
| 82 OHM 1/4W CRBN.    | 7   |
| 100 OHM 1/4W CRBN.   | 1   |
| 330 OHM 1/4W CRBN.   | 2   |
| 470 OHM 1/4W CRBN.   | 3   |
| 510 OHM 1/4W CRBN.   | 3   |
| 560 OHM 1/4W CRBN.   | 2   |
| 820 OHM 1/4W CRBN.   | 1   |
| 1K OHM 1/4W CRBN.    | 14  |
| 2K OHM 1/4W CRBN.    | 3   |
| 3.9K OHM 1/4W CRBN.  | 3   |
| 4.7K OHM 1/4W CRBN.  | 4   |
| 82K OHM 1/4W CRBN.   | 1   |
| 4.7K 6 PIN SIP       | 2   |
| 4.7K 10 PIN SIP      | 2   |
| 1N5817               | 1   |
| 4148                 | 1   |
| 2N4403               | 1   |
| 2N4123               | 1   |
| MPSA70               | 6   |
| 74S04                | 3   |
| 74LS04               | 2   |
| 7406                 | 1   |
| 7408                 | 1   |
| 74LS08               | 1   |
| 74LS20               | 2   |
| 74LS27               | 1   |
| 74LS32               | 4   |
| 74S74                | 1   |
| 74LS74               | 2   |
| 74LS86               | 2   |
| 74LS133              | 1   |
| 74LS138              | 1   |
| 74LS153              | 2   |
| 74LS157              | 7   |



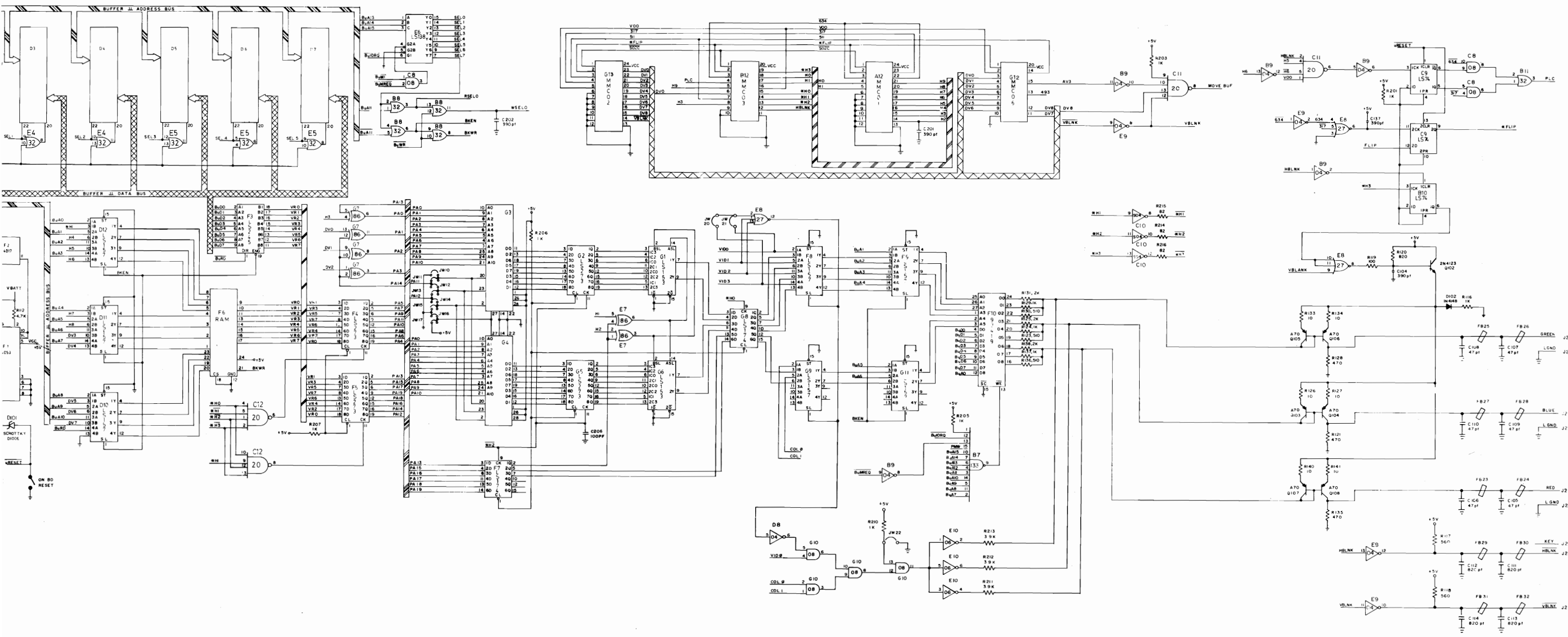
| DESCRIPTION             | QTY | DESIGNATION NO.  | PART NOS.       | DESCRIPTION                    | QTY | DESIGNATION NO.  | PART NOS.       |
|-------------------------|-----|--|-----------------|--------------------------------|-----|--|-----------------|
| 33PF AX CER.            | 1   | C101   | 0986-00800-0300 | 74LS161                        | 1   | A1   | 0986-00803-1003 |
| 47 PF AX CER.           | 6   | C105-C110  | 0986-00800-2800 | 74LS174                        | 2   | F7,G8  | 0986-00803-9800 |
| 100 PF AX CER.          | 2   | C203,C206  | 0986-00800-1000 | 74LS244                        | 2   | B1,B6  | 0986-00803-0800 |
| 390 PF AX CER.          | 20  | C104,C121-C137,<br>C201,C202   | 0986-00800-3000 | 74LS245                        | 2   | A3,F3  | 0986-00803-0900 |
| 820 PF AX CER.          | 5   | C111-C114,C200   | 0986-00800-3501 | 74LS273                        | 4   | F4,F5,G2,G5  | 0986-00803-1001 |
| 0.01MF 50V AX CER.      | 57  | CP2-CP7,CP9-CP14<br>CP16-CP20,CP22-<br>CP28,CP30-CP37,<br>CP39-CP50,CP52-<br>CP57,CP59-CP64,<br>CP67 | 0986-00800-2200 | 74LS367                        | 1   | A2   | 0986-00803-2200 |
| 0.1MF 100V MYLAR        | 1   | C103   | 0986-00800-0100 | MK3880                         | 1   | B5   | 0986-00803-7800 |
| 0.1MF 50V AX CER.       | 3   | C102,CP66,C204   | 0986-00800-0200 | MK3882                         | 1   | B3   | 0986-00803-7700 |
| 10MF 25V AX TANT.       | 5   | CP8,CP21,CP29,<br>CP38,CP51  | 0986-00800-3400 | 4017                           | 1   | F2   | 0986-00803-8700 |
| 470 MF 16V AX<br>ELECT. | 4   | CP1,CP15,CP58,<br>CP65   | 0986-00800-3300 | 4053                           | 1   | F1   | 0986-00803-2000 |
| 10 OHM 1/4W CRBN.       | 6   | R126,R127,R133,<br>R134,R140,R141  | 0062-051B3-1XXX | COMS RAM                       | 1   | B2   | 0986-00803-8100 |
| 47 OHM 1/4W CRBN.       | 1   | R220   | 0062-086B3-1XXX | 6116                           | 1   | F6   | 0986-00803-1008 |
| 62 OHM 1/4W CRBN.       | 1   | R218   | 0062-095B3-1XXX | 93419                          | 1   | F10  | 0986-00803-9600 |
| 82 OHM 1/4W CRBN.       | 7   | R214-R217,R219,R221,<br>R222   | 0062-104B3-1XXX | H-T GEN.                       | 1   | A12  | 0986-00803-8900 |
| 100 OHM 1/4W CRBN.      | 1   | R119   | 0062-110B3-1XXX | V-T GEN.                       | 1   | G13  | 0986-00803-9000 |
| 330 OHM 1/4W CRBN.      | 2   | R108,R111  | 0062-144B3-1XXX | V&H GEN.                       | 1   | B12  | 0986-00803-9100 |
| 470 OHM 1/4W CRBN.      | 3   | R121,R128,R135   | 0062-156B3-1XXX | MISC. CUSTOM                   | 1   | G12  | 0986-00803-9200 |
| 510 OHM 1/4W CRBN.      | 3   | R123,R130,R136   | 0062-159B3-1XXX | NVR CONTROLLER                 | 1   | E3   | 0986-00804-3200 |
| 560 OHM 1/4W CRBN.      | 2   | R117,R118  | 0062-162B3-1XXX | EPROM                          | 1   | D2   |                 |
| 820 OHM 1/4W CRBN.      | 1   | R120   | 0062-174B3-1XXX | EPROM                          | 1   | D3   |                 |
| 1K OHM 1/4W CRBN.       | 14  | R102,R107,R109,<br>R116,R124,R129,<br>R137,R201,R203-<br>R207,R210                                   | 0062-179B3-1XXX | EPROM                          | 1   | D4   | ROM/EPROM       |
| 2K OHM 1/4W CRBN.       | 3   | R125,R131,R138   | 0062-193B3-1XXX | EPROM                          | 1   | D5   | OPTIONS KIT     |
| 3.9K OHM 1/4W CRBN.     | 3   | R211-R213  | 0304-207B3-1XXX | EPROM                          | 1   | D6   |                 |
| 4.7K OHM 1/4W CRBN.     | 4   | R101,R112,R208,<br>R209  | 0062-211B3-1XXX | EPROM                          | 1   | D7   |                 |
| 82K OHM 1/4W CRBN.      | 1   | R104   | 0062-271B3-1XXX | EPROM                          | 1   | G3   |                 |
| 4.7K 6 PIN SIP          | 2   | RM1,RM4  | 0986-00804-2400 | EPROM                          | 1   | G4   |                 |
| 4.7K 10 PIN SIP         | 2   | RM2,RM3  | 0986-00804-4600 | 8 PIN IC SOCKET                | 2   | ICSA12,ICSG13  | 0986-00804-3600 |
| 1N5817                  | 1   | D101   | 0986-00801-0300 | 16 PIN IC SOCKET               | 2   | ICSA12A,ICSG13A  | 0986-00804-3700 |
| 4148                    | 1   | D102   | 0986-00801-0100 | 20 PIN IC SOCKET               | 3   | ICSB12,ICSE3,<br>ICSG12                                | 0986-00804-3800 |
| 2N4403                  | 1   | Q101   | 0986-00802-0200 | 24 PIN IC SOCKET               | 2   | ICSB2,ICSF6  | 0986-00804-3400 |
| 2N4123                  | 1   | Q102   | 0986-00802-0100 | 28 PIN IC SOCKET               | 10  | ICSB3,ICSD2-<br>ICSD7,ICSF10,<br>ICSG3,ICSG4,<br>ICSB5 | 0986-00804-3900 |
| MPSA70                  | 6   | Q103-Q108  | 0986-00802-0300 | 40 PIN IC SOCKET               | 1   |  | 0986-00804-3500 |
| 74S04                   | 3   | A11,B9,C10   | 0986-00803-0400 | FMD. HDR. .156 C<br>OMIT 15    | 1   | J1   | 3000-16366-0902 |
| 74LS04                  | 2   | D8,E9  | 0986-00803-1007 | FMD. HDR. .156 C<br>OMIT 3     | 1   | J2   | 3000-16387-2010 |
| 7406                    | 1   | E10  | 0304-00803-0035 | KK100 RT ANGLE<br>24 PIN CONN. | 5   | J3-J7  | 0986-00804-4700 |
| 7408                    | 1   | G10  | 0304-00803-0036 | ZERO OHM RESISTORS             | 22  | JW1-JW22   | 0986-00804-4000 |
| 74LS08                  | 1   | C8   | 0986-00803-1006 | SWITCH PC MTG.                 | 1   | SW1  | 0986-00804-3100 |
| 74LS20                  | 2   | C11,C12  | 0986-00803-1004 | 19,968 MHZ CRYSTAL             | 1   | XTAL   | 0986-00804-4900 |
| 74LS27                  | 1   | E8   | 0986-00803-9500 | BUS BAR                        | 2   | BB1,BB2  | 0986-00804-4100 |
| 74LS32                  | 4   | B8,B11,E4,E5   | 0986-00803-0600 | FLEX-PAC                       | 5   | J3-J7  | 0986-00804-4800 |
| 74S74                   | 1   | A9,A10   | 0986-00803-1500 | FERRITE BEAD                   | 26  | FB7-FB32   | 0316-00804-0002 |
| 74LS74                  | 2   | B10,C9   | 0986-00803-1005 | MCR III SUPER CPU BD.          |     |  | A082-91475-D000 |
| 74LS86                  | 2   | E7,G7  | 0986-00803-9900 |                                |     |  |                 |
| 74LS133                 | 1   | B7   | 0986-00803-1002 |                                |     |  |                 |
| 74LS138                 | 1   | E6   | 0986-00803-1900 |                                |     |  |                 |
| 74LS153                 | 2   | G1,G6  | 0986-00803-1000 |                                |     |  |                 |
| 74LS157                 | 7   | D10-D12,F8,F9,<br>G9,G11   | 0986-00803-9700 |                                |     |  |                 |

|  |  |                                 |            |   |
|--|--|---------------------------------|------------|---|
| PROJECT ENG: R. PLOUSSARD  |  | USED ON JOURNEY                 |            | <b>Bally / MIDWAY MFG. CO.</b><br>FRANKLIN PK. ILL. |
| DO NOT SCALE DWG   |  | HEAT TREAT                      | SCALE FULL |   |
| DIM. TOLERANCES UNLESS SPECIFIED   |  | NO. REQ'D                       |            | SUPER CPU MCR III<br>ASSY DWG<br>A082-91475-D000    |
| DIM. TOLERANCES UNLESS SPECIFIED<br>FRACTIONAL ± 1/64<br>DECIMAL ± .005<br>HOLE DIA. + .002 .000 |  | MAT'L.                          | FINISH     |   |
| DRN. <i>TDB</i><br>CKD. <i>Rif</i><br>DATE 04/28/83  |  | PART NO.<br>M051 - 00358 - A010 |            |   |

REVISIONS

|  |  |
|--|--|
|  |  |
|  |  |
|  |  |
|  |  |

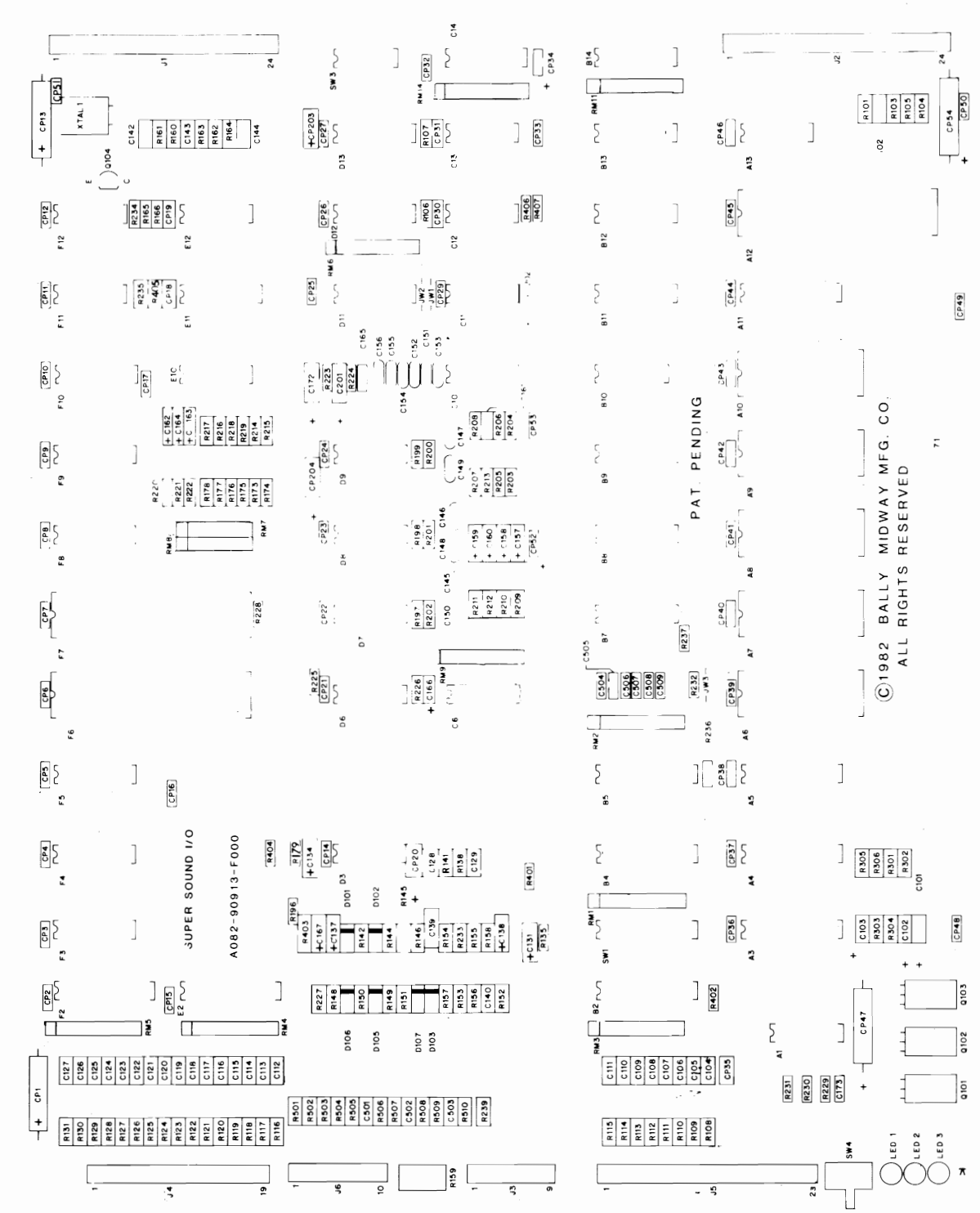




| PROJECT ENG. R.A. FLOUSSARD |          | DESIGNED BY JOURNEY |   | REVISIONS       |               |
|-----------------------------|----------|---------------------|---|-----------------|---------------|
| DATE                        | 04/15/83 | REV.                | 1 | DESCRIPTION     | SCHEMATIC DWG |
| SUPER CPU MCR III           |          | PART NO.            |   | M051-00304-0008 |               |
| A082-91475-0000             |          | REVISED BY          |   |                 |               |
|                             |          | REVISED DATE        |   |                 |               |
|                             |          | REVISED DESCRIPTION |   |                 |               |

DESIGNATION LIST

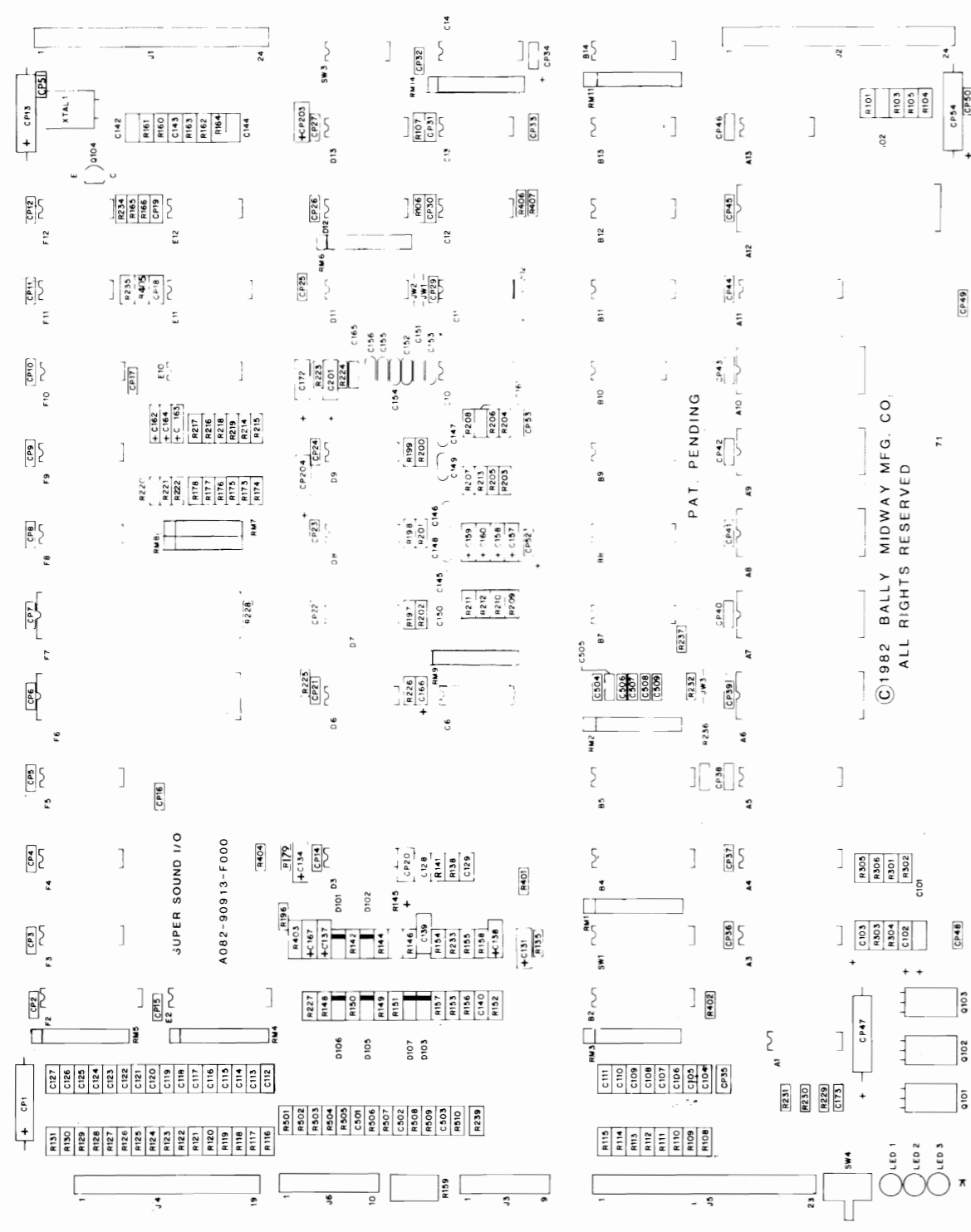
| DESIGNATION NO. | DESCRIPTION             | DESIGNATION NO. | DESCRIPTION             | DESIGNATION NO. | DESCRIPTION      |
|-----------------|-------------------------|-----------------|-------------------------|-----------------|------------------|
| C101-C103       | 10 MF 25V AX. TANT.     | R153            | 1K OHM 1/4W 5% CRBN.    | D101-D103       | 1N4148           |
| C104-C127       | .1 MF 50V AX. CER.      | R154            | 1MEG. OHM 1/4W 5% CRBN. | D105-D107       | 1N4148           |
| C128            | 47 PF 50V AX. CER.      | R155,R156       | 10K OHM 1/4W 5% CRBN.   | Q101-Q103       | T1P110           |
| C131            | 10 MF 25V AX. TANT.     | R157,R158       | 1.2K OHM 1/4W 5% CRBN.  | Q104            | 2N4403           |
| C134,C137       | 1 MF 20V AX. TANT.      | R160,R161       | 330 OHM 1/4W 5% CRBN.   | ICA1            | 7406             |
| C138            | 10 MF 25V AX. TANT.     | R162            | 220 OHM 1/4W 5% CRBN.   | ICA3,A4         | 74LS273          |
| C139            | .047 MF 100V MYLAR      | R163            | 1.2K OHM 1/4W 5% CRBN.  | ICA5            | 74LS374          |
| C140            | .01 MF 50V AX. CER.     | R164            | 22 OHM 1/4W 5% CRBN.    | ICA6            | 1K X 8 RAM       |
| C142            | 100 PF 50V AX. CER.     | R165,R166       | 4.7K OHM 1/4W 5% CRBN.  | ICA7            | ROM/EPROM 0      |
| C143            | .1 MF 50V AX. CER.      | R173-R178       | 5.6K OHM 1/4W 5% CRBN.  | ICA8            | ROM/EPROM 1      |
| C144            | 33 PF 50V AX. CER.      | R179            | 24K OHM 1/4W 5% CRBN.   | ICA9            | ROM/EPROM 2      |
| C145-C156       | .0022 MF 100V 10% MYLAR | R196            | 24K OHM 1/4W 5% CRBN.   | IC10            | ROM/EPROM 3      |
| C157-C159       | 1 MF 20V AX. TANT.      | R197-R202       | 5.6K OHM 1/4W 5% CRBN.  | IC11            | 74LS245          |
| C161            | 330 PF 50V AX. CER.     | R203-R208       | 33K OHM 1/4W 5% CRBN.   | IC12            | Z-80 CPU         |
| C162-C164       | 1 MF 20V AX. TANT.      | R209-R211       | 13K OHM 1/4W 5% CRBN.   | IC13            | 74LS08           |
| C165            | 330 PF 50V AX. CER.     | R213            | 27K OHM 1/4W 5% CRBN.   | ICB2,B4,B5      | 74LS244          |
| C166,C167       | 10 MF 25V AX. TANT.     | R214-R219       | 33K OHM 1/4W 5% CRBN.   | ICB7,B8         | 74LS138          |
| C172            | 10 MF 25V AX. TANT.     | R220-R222       | 13K OHM 1/4W 5% CRBN.   | ICB9            | 74LS670          |
| C173            | .01 MF 50V AX. CER.     | R224            | 27K OHM 1/4W 5% CRBN.   | ICB10           | 74LS32           |
| C501-C509       | .1 MF 50V AX. CER.      | R225,R226       | 4.7K OHM 1/4W 5% CRBN.  | ICB11           | 74LS670          |
| CP1             | 470 MF 16V AX. ELECT.   | R227            | 1K OHM 1/4W 5% CRBN.    | ICB12,B13       | 74LS138          |
| CP2-CP12        | .01 MF 50V AX. CER.     | R228            | 4.7K OHM 1/4W 5% CRBN.  | ICB14           | 74LS174          |
| CP13            | 470 MF 16V AX. ELECT.   | R231            | 300 OHM 1/4W 5% CRBN.   | ICB17           | 7407             |
| CP14-CP19       | .01 MF 50V AX. CER.     | R232            | 4.7K OHM 1/4W 5% CRBN.  | ICB18           | MC3403           |
| CP20            | 10 MF 25V AX. TANT.     | R233            | 3K OHM 1/4W 5% CRBN.    | ICB19           | 74LS04           |
| CP21-CP27       | .01 MF 50V AX. CER.     | R234,R235       | 4.7K OHM 1/4W 5% CRBN.  | ICB20           | MC14024          |
| CP29-CP33       | .01 MF 50V AX. CER.     | R239            | 100 OHM 1/4W 5% CRBN.   | ICB21           | 7427             |
| CP34            | 10 MF 25V AX. TANT.     | R301-R306       | 2.7K OHM 1/4W 5% CRBN.  | ICB22           | 74LS367          |
| CP35-CP46       | .01 MF 50V AX. CER.     | R401            | 1K OHM 1/4W 5% CRBN.    | ICD3            | LM3900           |
| CP47            | 470 MF 16V AX. ELECT.   | R402            | 4.7K OHM 1/4W 5% CRBN.  | ICD6            | 74LS02           |
| CP48-CP51       | .01 MF 50V AX. CER.     | R403,R404       | 33K OHM 1/4W 5% CRBN.   | ICD7-D9         | MC14016          |
| CP52,CP53       | 10 MF 25V AX. TANT.     | R405-R407       | 4.7K OHM 1/4W 5% CRBN.  | ICD11           | 74190            |
| CP54            | 470 MF 16V AX. ELECT.   | R501-R509       | 220 OHM 1/4W 5% CRBN.   | ICD12           | PROMSB2A         |
| CP202-CP204     | 10 MF 25V AX. TANT.     | R510            | 2.7K OHM 1/4W 5% CRBN.  | ICD13           | 74166            |
| R101-R107       | 4.7K OHM 1/4W 5% CRBN.  | RM1             | 4.7K OHM 10 PIN S.I.P.  | ICE2            | 74LS244          |
| R108-R131       | 220 OHM 1/4W 5% CRBN.   | RM2-RM5         | 2.7K OHM 10 PIN S.I.P.  | ICE10           | MC3403           |
| R135            | 33K OHM 1/4W 5% CRBN.   | RM7             | 4.7K OHM 8 PIN S.I.P.   | ICE11           | 74161            |
| R138,R141       | 180K OHM 1/4W 5% CRBN.  | RM8             | 820 OHM 8 PIN S.I.P.    | ICE12           | 74126            |
| R142            | 100K OHM 1/4W 5% CRBN.  | RM9             | 1.8K OHM 10 PIN S.I.P.  | ICF2            | 74LS244          |
| R144,R145       | 620K OHM 1/4W 5% CRBN.  | RM14            | 4.7K OHM 10 PIN S.I.P.  | ICF3-F5         | 74LS191          |
| R146            | 10K OHM 1/4W 5% CRBN.   |                 |                         | ICF6,F7         | AY-3-8910        |
| R148            | 100K OHM 1/4W 5% CRBN.  |                 |                         | ICF8-F10        | 74LS191          |
| R149,R150       | 620K OHM 1/4W 5% CRBN.  |                 |                         | ICF11           | 7474             |
| R151            | 10K OHM 1/4W 5% CRBN.   |                 |                         | ICF12           | 74S04            |
| R152            | 1MEG. OHM 1/4W 5% CRBN. |                 |                         | ICSA6-ICSA10    | 24 PIN IC SOCKET |



| DESIGNATION NO. | DESCRIPTION                    |
|-----------------|--------------------------------|
| J1              | 24 PIN KK100 RT. ANGLE         |
| J2              | 24 PIN KK100 RT. ANGLE OMIT 4  |
| J3              | 9 PIN KK100 RT. ANGLE OMIT 4   |
| J4              | 19 PIN KK100 RT. ANGLE OMIT 14 |
| J5              | 23 PIN KK100 RT. ANGLE OMIT 19 |
| J6              | 10 PIN KK100 RT. ANGLE OMIT 8  |
| J10             | 10 POSITION DIP                |
| J19             | 8 POSITION DIP                 |
| J23             | PUSHBUTTON S.W.                |
| J24             | 16 MHZ XTAL                    |
| J3              | SNAP                           |
| J5              | SUPER SND. I/O BD.             |
| Q101-Q103       | 1N4148                         |
| Q104            | 2N4403                         |
| ICA1            | 7406                           |
| ICA3,A4         | 74LS273                        |
| ICA5            | 74LS374                        |
| ICA6            | 1K X 8 RAM                     |
| ICA7            | ROM/EPROM 0                    |
| ICA8            | ROM/EPROM 1                    |
| ICA9            | ROM/EPROM 2                    |
| IC10            | ROM/EPROM 3                    |
| IC11            | 74LS245                        |
| IC12            | Z-80 CPU                       |
| IC13            | 74LS08                         |
| ICB2,B4,B5      | 74LS244                        |
| ICB7,B8         | 74LS138                        |
| ICB9            | 74LS670                        |
| ICB10           | 74LS32                         |
| ICB11           | 74LS670                        |
| ICB12,B13       | 74LS138                        |
| ICB14           | 74LS174                        |
| ICB17           | 7407                           |
| ICB18           | MC3403                         |
| ICB19           | 74LS04                         |
| ICB20           | MC14024                        |
| ICB21           | 7427                           |
| ICB22           | 74LS367                        |
| ICD3            | LM3900                         |
| ICD6            | 74LS02                         |
| ICD7-D9         | MC14016                        |
| ICD11           | 74190                          |
| ICD12           | PROMSB2A                       |
| ICD13           | 74166                          |
| ICE2            | 74LS244                        |
| ICE10           | MC3403                         |
| ICE11           | 74161                          |
| ICE12           | 74126                          |
| ICF2            | 74LS244                        |
| ICF3-F5         | 74LS191                        |
| ICF6,F7         | AY-3-8910                      |
| ICF8-F10        | 74LS191                        |
| ICF11           | 7474                           |
| ICF12           | 74S04                          |
| ICSA6-ICSA10    | 24 PIN IC SOCKET               |
| ICSA12          | 40 PIN IC SOCKET               |
| ICSD12          | 16 PIN IC SOCKET               |
| ICSF6,F7        | 40 PIN IC SOCKET               |
| J1,J2           | 24 PIN KK100 RT. ANGLE         |
| J3              | 9 PIN KK100 RT. ANGLE OMIT 4   |
| J4              | 19 PIN KK100 RT. ANGLE OMIT 14 |
| J5              | 23 PIN KK100 RT. ANGLE OMIT 19 |
| J6              | 10 PIN KK100 RT. ANGLE OMIT 8  |
| JW1,JW2         | JUMPER WIRE                    |
| LED 3           | YELLOW LED                     |
| SW1             | 10 POSITION DIP                |
| SW3             | 8 POSITION DIP                 |
| SW4             | PUSHBUTTON S.W.                |
| XTAL 1          | 16 MHZ XTAL                    |
| MHQ101-MHQ103   | SNAP                           |
| A080-90913-F000 | SUPER SND. I/O BD.             |
| D101-D103       | 1N4148                         |
| D105-D107       | 1N4148                         |
| Q101-Q103       | T1P110                         |
| Q104            | 2N4403                         |
| ICA1            | 7406                           |
| ICA3,A4         | 74LS273                        |
| ICA5            | 74LS374                        |
| ICA6            | 1K X 8 RAM                     |
| ICA7            | ROM/EPROM 0                    |
| ICA8            | ROM/EPROM 1                    |
| ICA9            | ROM/EPROM 2                    |
| IC10            | ROM/EPROM 3                    |
| IC11            | 74LS245                        |
| IC12            | Z-80 CPU                       |
| IC13            | 74LS08                         |
| ICB2,B4,B5      | 74LS244                        |
| ICB7,B8         | 74LS138                        |
| ICB9            | 74LS670                        |
| ICB10           | 74LS32                         |
| ICB11           | 74LS670                        |
| ICB12,B13       | 74LS138                        |
| ICB14           | 74LS174                        |
| ICB17           | 7407                           |
| ICB18           | MC3403                         |
| ICB19           | 74LS04                         |
| ICB20           | MC14024                        |
| ICB21           | 7427                           |
| ICB22           | 74LS367                        |
| ICD3            | LM3900                         |
| ICD6            | 74LS02                         |
| ICD7-D9         | MC14016                        |
| ICD11           | 74190                          |
| ICD12           | PROMSB2A                       |
| ICD13           | 74166                          |
| ICE2            | 74LS244                        |
| ICE10           | MC3403                         |
| ICE11           | 74161                          |
| ICE12           | 74126                          |
| ICF2            | 74LS244                        |
| ICF3-F5         | 74LS191                        |
| ICF6,F7         | AY-3-8910                      |
| ICF8-F10        | 74LS191                        |
| ICF11           | 7474                           |
| ICF12           | 74S04                          |
| ICSA6-ICSA10    | 24 PIN IC SOCKET               |
| ICSA12          | 40 PIN IC SOCKET               |
| ICSD12          | 16 PIN IC SOCKET               |
| ICSF6,F7        | 40 PIN IC SOCKET               |
| J1,J2           | 24 PIN KK100 RT. ANGLE         |
| J3              | 9 PIN KK100 RT. ANGLE OMIT 4   |
| J4              | 19 PIN KK100 RT. ANGLE OMIT 14 |
| J5              | 23 PIN KK100 RT. ANGLE OMIT 19 |
| J6              | 10 PIN KK100 RT. ANGLE OMIT 8  |
| JW1,JW2         | JUMPER WIRE                    |
| LED 3           | YELLOW LED                     |
| SW1             | 10 POSITION DIP                |
| SW3             | 8 POSITION DIP                 |
| SW4             | PUSHBUTTON S.W.                |
| XTAL 1          | 16 MHZ XTAL                    |
| MHQ101-MHQ103   | SNAP                           |
| A080-90913-F000 | SUPER SND. I/O BD.             |
| D101-D103       | 1N4148                         |
| D105-D107       | 1N4148                         |
| Q101-Q103       | T1P110                         |
| Q104            | 2N4403                         |
| ICA1            | 7406                           |
| ICA3,A4         | 74LS273                        |
| ICA5            | 74LS374                        |
| ICA6            | 1K X 8 RAM                     |
| ICA7            | ROM/EPROM 0                    |
| ICA8            | ROM/EPROM 1                    |
| ICA9            | ROM/EPROM 2                    |
| IC10            | ROM/EPROM 3                    |
| IC11            | 74LS245                        |
| IC12            | Z-80 CPU                       |
| IC13            | 74LS08                         |
| ICB2,B4,B5      | 74LS244                        |
| ICB7,B8         | 74LS138                        |
| ICB9            | 74LS670                        |
| ICB10           | 74LS32                         |
| ICB11           | 74LS670                        |
| ICB12,B13       | 74LS138                        |
| ICB14           | 74LS174                        |
| ICB17           | 7407                           |
| ICB18           | MC3403                         |
| ICB19           | 74LS04                         |
| ICB20           | MC14024                        |
| ICB21           | 7427                           |
| ICB22           | 74LS367                        |
| ICD3            | LM3900                         |
| ICD6            | 74LS02                         |
| ICD7-D9         | MC14016                        |
| ICD11           | 74190                          |
| ICD12           | PROMSB2A                       |
| ICD13           | 74166                          |
| ICE2            | 74LS244                        |
| ICE10           | MC3403                         |
| ICE11           | 74161                          |
| ICE12           | 74126                          |
| ICF2            | 74LS244                        |
| ICF3-F5         | 74LS191                        |
| ICF6,F7         | AY-3-8910                      |
| ICF8-F10        | 74LS191                        |
| ICF11           | 7474                           |
| ICF12           | 74S04                          |
| ICSA6-ICSA10    | 24 PIN IC SOCKET               |
| ICSA12          | 40 PIN IC SOCKET               |
| ICSD12          | 16 PIN IC SOCKET               |
| ICSF6,F7        | 40 PIN IC SOCKET               |
| J1,J2           | 24 PIN KK100 RT. ANGLE         |
| J3              | 9 PIN KK100 RT. ANGLE OMIT 4   |
| J4              | 19 PIN KK100 RT. ANGLE OMIT 14 |
| J5              | 23 PIN KK100 RT. ANGLE OMIT 19 |
| J6              | 10 PIN KK100 RT. ANGLE OMIT 8  |
| JW1,JW2         | JUMPER WIRE                    |
| LED 3           | YELLOW LED                     |
| SW1             | 10 POSITION DIP                |
| SW3             | 8 POSITION DIP                 |
| SW4             | PUSHBUTTON S.W.                |
| XTAL 1          | 16 MHZ XTAL                    |
| MHQ101-MHQ103   | SNAP                           |
| A080-90913-F000 | SUPER SND. I/O BD.             |
| D101-D103       | 1N4148                         |
| D105-D107       | 1N4148                         |
| Q101-Q103       | T1P110                         |
| Q104            | 2N4403                         |
| ICA1            | 7406                           |
| ICA3,A4         | 74LS273                        |
| ICA5            | 74LS374                        |
| ICA6            | 1K X 8 RAM                     |
| ICA7            | ROM/EPROM 0                    |
| ICA8            | ROM/EPROM 1                    |
| ICA9            | ROM/EPROM 2                    |
| IC10            | ROM/EPROM 3                    |
| IC11            | 74LS245                        |
| IC12            | Z-80 CPU                       |
| IC13            | 74LS08                         |
| ICB2,B4,B5      | 74LS244                        |
| ICB7,B8         | 74LS138                        |
| ICB9            | 74LS670                        |
| ICB10           | 74LS32                         |
| ICB11           | 74LS670                        |
| ICB12,B13       | 74LS138                        |
| ICB14           | 74LS174                        |
| ICB17           | 7407                           |
| ICB18           | MC3403                         |
| ICB19           | 74LS04                         |
| ICB20           | MC14024                        |
| ICB21           | 7427                           |
| ICB22           | 74LS367                        |
| ICD3            | LM3900                         |
| ICD6            | 74LS02                         |
| ICD7-D9         | MC14016                        |
| ICD11           | 74190                          |
| ICD12           | PROMSB2A                       |
| ICD13           | 74166                          |
| ICE2            | 74LS244                        |
| ICE10           | MC3403                         |
| ICE11           | 74161                          |
| ICE12           | 74126                          |
| ICF2            | 74LS244                        |
| ICF3-F5         | 74LS191                        |
| ICF6,F7         | AY-3-8910                      |
| ICF8-F10        | 74LS191                        |
| ICF11           | 7474                           |
| ICF12           | 74S04                          |
| ICSA6-ICSA10    | 24 PIN IC SOCKET               |
| ICSA12          | 40 PIN IC SOCKET               |
| ICSD12          | 16 PIN IC SOCKET               |
| ICSF6,F7        | 40 PIN IC SOCKET               |
| J1,J2           | 24 PIN KK100 RT. ANGLE         |
| J3              | 9 PIN KK100 RT. ANGLE OMIT 4   |
| J4              | 19 PIN KK100 RT. ANGLE OMIT 14 |
| J5              | 23 PIN KK100 RT. ANGLE OMIT 19 |
| J6              | 10 PIN KK100 RT. ANGLE OMIT 8  |
| JW1,JW2         | JUMPER WIRE                    |
| LED 3           | YELLOW LED                     |
| SW1             | 10 POSITION DIP                |
| SW3             | 8 POSITION DIP                 |
| SW4             | PUSHBUTTON S.W.                |
| XTAL 1          | 16 MHZ XTAL                    |
| MHQ101-MHQ103   | SNAP                           |
| A080-90913-F000 | SUPER SND. I/O BD.             |
| D101-D103       | 1N4148                         |
| D105-D107       | 1N4148                         |
| Q101-Q103       | T1P110                         |
| Q104            | 2N4403                         |
| ICA1            | 7406                           |
| ICA3,A4         | 74LS273                        |
| ICA5            | 74LS374                        |
| ICA6            | 1K X 8 RAM                     |
| ICA7            | ROM/EPROM 0                    |
| ICA8            | ROM/EPROM 1                    |
| ICA9            | ROM/EPROM 2                    |
| IC10            | ROM/EPROM 3                    |
| IC11            | 74LS245                        |
| IC12            | Z-80 CPU                       |
| IC13            | 74LS08                         |
| ICB2,B4,B5      | 74LS244                        |
| ICB7,B8         | 74LS138                        |
| ICB9            | 74LS670                        |
| ICB10           | 74LS32                         |
| ICB11           | 74LS670                        |
| ICB12,B13       | 74LS138                        |
| ICB14           | 74LS174                        |
| ICB17           | 7407                           |
| ICB18           | MC3403                         |
| ICB19           | 74LS04                         |
| ICB20           | MC14024                        |
| ICB21           | 7427                           |
| ICB22           | 74LS367                        |

CROSS REFERENCE LIST

ON  
M  
0  
1  
2  
3  
SOCKET  
SOCKET  
SOCKET  
SOCKET  
100 RT.  
00 RT.  
T 4  
100 RT.  
T 14  
100 RT.  
T 19  
100 RT.  
T 8  
RE  
D  
ON DIP  
N DIP  
N S.W.  
AL  
I/O BD.

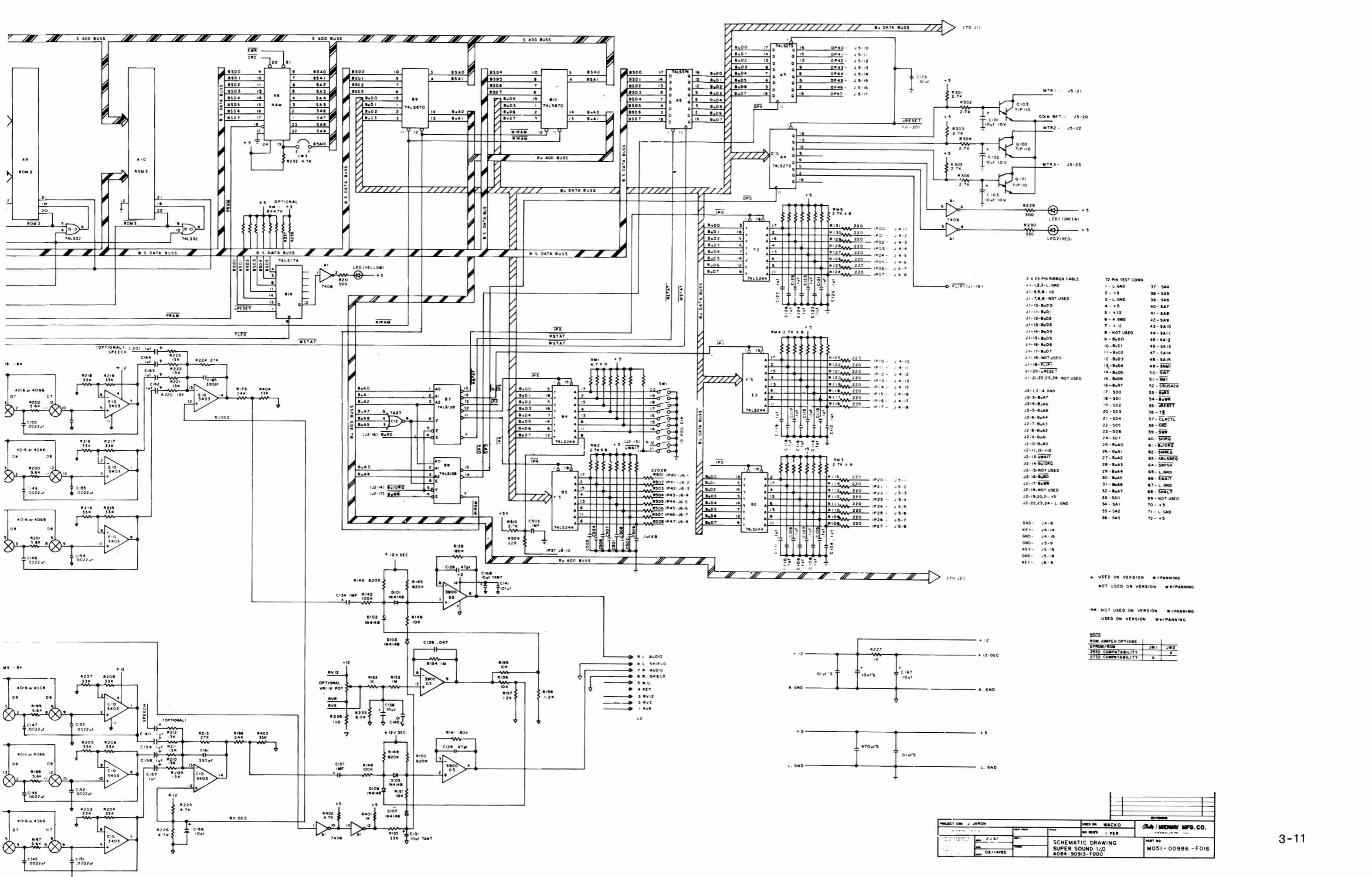


| DESCRIPTION              | QTY | DESIGNATION NO.  | PART NOS.       | DESCRIPTION                     | QTY | DESIGNATION NO.      | PART NOS.       |
|--------------------------|-----|--|-----------------|---------------------------------|-----|----------------------|-----------------|
| 33 PF 50V 5% AX. CER.    | 1   | C144   | 0986-00800-0900 | 1N4148                          | 6   | D101-D103, D105-D107 | 0986-00801-0200 |
| 47 PF 50V AX. CER.       | 1   | C128   | 0986-00800-2800 | 2N4403                          | 1   | Q104                 | 0986-00802-0500 |
| 100 PF 50V 5% AX. CER.   | 1   | C142   | 0986-00800-1000 | T1P110                          | 3   | Q101-Q103            | 0986-00802-0400 |
| 330 PF 50V AX. CER.      | 2   | C161, C165   | 0986-00800-1300 | 74LS02                          | 1   | ICD6                 | 0986-00803-7400 |
| .0022 MF 100V 10% MYLAR  | 12  | C145-C156  | 0986-00800-1200 | 74LS04                          | 1   | ICC11                | 0986-00803-6900 |
| .047 MF 100V MYLAR       | 1   | C139   | 0986-00800-2600 | 74S04                           | 1   | ICF12                | 0986-00803-6600 |
| .01 MF 50V AX. CER.      | 47  | CP2-CP12, CP14-CP19, CP21-CP27, CP29-CP33, CP35-CP46, CP48-CP51, C140, C173  | 0986-00800-2000 | 7406                            | 1   | ICA1                 | 0986-00803-7600 |
| .1 MF 50V AX. CER.       | 34  | C104-C127, C143, C501-C509   | 0986-00800-1100 | 7407                            | 1   | ICC6                 | 0986-00803-5900 |
| 1 MF 20V AX. TANT.       | 8   | C134, C137, C157-C159, C162-C164   | 0986-00800-1400 | 74LS08                          | 1   | ICA13                | 0986-00803-7300 |
| 10 MF 25V AX. TANT.      | 14  | CP20, CP34, CP52, CP53, CP202-CP204, C101-C103, C131, C138, C166, C167, C172 | 0986-00800-0700 | 7427                            | 1   | ICC13                | 0986-00803-7200 |
| 470 MF 16V AX. ELECT.    | 4   | CP1, CP13, CP47, CP54  | 0986-00800-2700 | 74LS32                          | 1   | ICB10                | 0986-00803-6100 |
| 22 OHM 1/4W 5% CRBN.     | 1   | R164   | 0062-06383-1XXX | 7474                            | 1   | ICF11                | 0986-00803-6700 |
| 100 OHM 1/4W 5% CRBN.    | 1   | R239   | 0062-11083-1XXX | 74126                           | 1   | ICE12                | 0986-00803-6800 |
| 220 OHM 1/4W 5% CRBN.    | 34  | R108-R131, R162, R501-R509   | 0062-13383-1XXX | 74LS138                         | 4   | ICB7, B8, B12, B13   | 0986-00803-6500 |
| 300 OHM 1/4W 5% CRBN.    | 1   | R231   | 0062-14183-1XXX | 74161                           | 1   | ICE11                | 0986-00803-5100 |
| 330 OHM 1/4W 5% CRBN.    | 2   | R160, R161   | 0062-14483-1XXX | 74166                           | 1   | ICD13                | 0986-00803-5300 |
| 1K OHM 1/4W 5% CRBN.     | 3   | R153, R227, R401   | 0062-17983-1XXX | 74LS174                         | 1   | ICB14                | 0986-00803-7500 |
| 1.2K OHM 1/4W 5% CRBN.   | 3   | R157, R158, R163   | 0062-18383-1XXX | 74190                           | 1   | ICD11                | 0986-00803-9400 |
| 2.7K OHM 1/4W 5% CRBN.   | 7   | R301-R306, R510  | 0062-19983-1XXX | 74LS191                         | 6   | ICF3-F5, F8-F10      | 0986-00803-5600 |
| 3K OHM 1/4W 5% CRBN.     | 1   | R233   | 0062-20183-1XXX | 74LS244                         | 5   | ICB2, B4, B5, E2, F2 | 0986-00803-4800 |
| 4.7K OHM 1/4W 5% CRBN.   | 19  | R101-R107, R165, R166, R225, R226, R228, R232, R234, R235, R402, R405-R407   | 0062-21183-1XXX | 74LS245                         | 1   | ICA11                | 0986-00803-6400 |
| 5.6K OHM 1/4W 5% CRBN.   | 12  | R173-R178, R197-R202   | 0062-21583-1XXX | 74LS273                         | 2   | ICA3, A4             | 0986-00803-4700 |
| 10K OHM 1/4W 5% CRBN.    | 4   | R146, R151, R155, R156   | 0062-22783-1XXX | 74LS367                         | 1   | ICC14                | 0986-00803-7000 |
| 13K OHM 1/4W 5% CRBN.    | 6   | R209-R211, R220-R222   | 0062-23383-1XXX | 74LS374                         | 1   | ICA5                 | 0986-00803-4600 |
| 24K OHM 1/4W 5% CRBN.    | 2   | R179, R196   | 0062-24583-1XXX | 74LS670                         | 2   | ICB9, B11            | 0986-00803-6300 |
| 27K OHM 1/4W 5% CRBN.    | 2   | R213, R224   | 0062-24783-1XXX | AY-3-8910                       | 2   | ICF6, F7             | 0986-00803-8500 |
| 33K OHM 1/4W 5% CRBN.    | 15  | R135, R203-R208, R214-R219, R403, R404                                       | 0062-25183-1XXX | LM3900                          | 1   | ICD3                 | 0986-00803-4900 |
| 100K OHM 1/4W 5% CRBN.   | 2   | R142, R148   | 0062-27583-1XXX | MC3403                          | 2   | ICC10, E10           | 0986-00803-5000 |
| 180K OHM 1/4W 5% CRBN.   | 2   | R138, R141   | 0062-28783-1XXX | MC14016                         | 3   | ICD7-D9              | 0986-00803-6200 |
| 620K OHM 1/4W 5% CRBN.   | 4   | R144, R145, R149, R150   | 0062-31383-1XXX | MC14024                         | 1   | ICC12                | 0986-00803-7100 |
| 1 MEG. OHM 1/4W 5% CRBN. | 2   | R152, R154   | 0062-32383-1XXX | PROMSB2-A                       | 1   | ICD12                | 0986-00803-8200 |
| 820 OHM 8 PIN S.I.P.     | 1   | RM8  | 0986-00805-0800 | RAM 1K X 8                      | 1   | ICA6                 | 0986-00803-8000 |
| 1.8K OHM 10 PIN S.I.P.   | 1   | RM9  | 0986-00805-0600 | ROM/EPROM 0                     | 1   | ICA7                 |                 |
| 2.7K OHM 10 PIN S.I.P.   | 4   | RM2-RM5  | 0986-00805-0500 | ROM/EPROM 1                     | 1   | ICA8                 | EPROM/ROM       |
| 4.7K OHM 8 PIN S.I.P.    | 1   | RM7  | 0986-00805-0400 | ROM/EPROM 2                     | 1   | ICA9                 | OPTIONS KIT     |
| 4.7K OHM 10 PIN S.I.P.   | 2   | RM1, RM14  | 0986-00805-0300 | ROM/EPROM 3                     | 1   | ICA10                |                 |
|                          |     |  |                 | 2-80(3880)                      | 1   | ICA12                | 0986-00803-5500 |
|                          |     |  |                 | 16 PIN IC SOCKET                | 1   | ICSD12               | 0986-00804-1400 |
|                          |     |  |                 | 24 PIN IC SOCKET                | 5   | ICSA6-ICSA10         | 0986-00804-1600 |
|                          |     |  |                 | 40 PIN IC SOCKET                | 3   | ICSA12, ICSF6, ICSF7 | 0986-00804-1500 |
|                          |     |  |                 | 9 PIN KK 100 RT. ANGLE OMIT 4   | 1   | J3                   | 3000-16366-0901 |
|                          |     |  |                 | 10 PIN KK 100 RT. ANGLE OMIT 8  | 1   | J6                   | 3000-16366-1001 |
|                          |     |  |                 | 19 PIN KK 100 RT. ANGLE OMIT 14 | 1   | J4                   | 3000-16366-1901 |
|                          |     |  |                 | 23 PIN KK 100 RT. ANGLE OMIT 19 | 1   | J5                   | 3000-16366-2301 |
|                          |     |  |                 | 24 PIN KK 100 RT. ANGLE         | 2   | J1, J2               | 0986-00804-4700 |
|                          |     |  |                 | JUMPER WIRE                     | 2   | JW1, JW2             | 0986-00804-4000 |
|                          |     |  |                 | YELLOW LED                      | 1   | LED 3                | 0986-00804-2000 |
|                          |     |  |                 | 8 POSITION DIP SW.              | 1   | SW3                  | 0986-00805-0900 |
|                          |     |  |                 | 10 POSITION DIP SW.             | 1   | SW1                  | 0986-00805-1000 |
|                          |     |  |                 | PB SWITCH                       | 1   | SW4                  | 0986-00804-1700 |
|                          |     |  |                 | 16 MHZ XTAL W/3RD LEAD          | 1   | XTAL 1               | 0986-00805-1100 |
|                          |     |  |                 | SNAPS                           | 3   | MHQ101-MHQ103        | 0017-00007-0134 |
|                          |     |  |                 | SUPER SND. I/O BD.              | 1   |                      | A080-90913-F000 |

|                                   |  |                 |       |                 |  |
|-----------------------------------|--|-----------------|-------|-----------------|--|
| PROJECT ENG: C. MEDNICK           |  | USED ON JOURNEY |       | REVISIONS       |  |
| DO NOT SCALE DWG                  |  | HEAT TREAT      | SCALE | FULL            |  |
| NO. REQ'D                         |  | I PER           |       | PART NO.        |  |
| SUPER SOUND I/O BD. ASSEMBLY DWG. |  | A082-90913-F000 |       | M051-00358-A012 |  |
| DATE 05/05/83                     |  | FINISH          |       | FRANKLIN PK ILL |  |







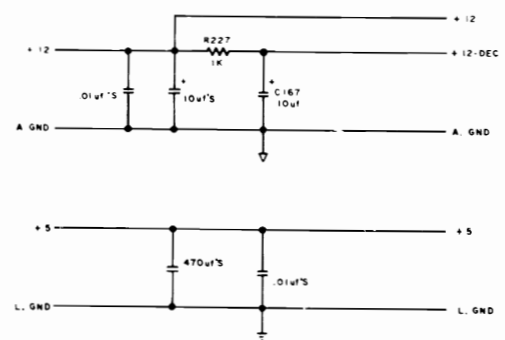
- 2 X 24 PIN RIBBON CABLE
- J1-1,2,3-L GND
  - J1-4,5,6-+5
  - J1-7,8,9-NOT USED
  - J1-10-BuD0
  - J1-11-BuD1
  - J1-12-BuD2
  - J1-13-BuD3
  - J1-14-BuD4
  - J1-15-BuD5
  - J1-16-BuD6
  - J1-17-BuD7
  - J1-18-NOT USED
  - J1-19-FLTP1
  - J1-20-vRESET
  - J1-21,22,23,24-NOT USED
- 72 PIN TEST CONN
- 1-L GND
  - 2-+5
  - 3-L GND
  - 4-+5
  - 5-+12
  - 6-A GND
  - 7-+12
  - 8-NOT USED
  - 9-BuD0
  - 10-BuD1
  - 11-BuD2
  - 12-BuD3
  - 13-BuD4
  - 14-BuD5
  - 15-BuD6
  - 16-BuD7
  - 17-SD0
  - 18-SD1
  - 19-SD2
  - 20-SD3
  - 21-SD4
  - 22-SD5
  - 23-SD6
  - 24-SD7
  - 25-BuA0
  - 26-BuA1
  - 27-BuA2
  - 28-BuA3
  - 29-BuA4
  - 30-BuA5
  - 31-BuA6
  - 32-BuA7
  - 33-SA0
  - 34-SA1
  - 35-SA2
  - 36-SA3
  - 37-SA4
  - 38-SA5
  - 39-SA6
  - 40-SA7
  - 41-SAB
  - 42-SAB
  - 43-SA10
  - 44-SA11
  - 45-SA12
  - 46-SA13
  - 47-SA14
  - 48-SA15
  - 49-SWT1
  - 50-SWT
  - 51-SWT
  - 52-SBUSACK
  - 53-BuRD
  - 54-BuWR
  - 55-vRESET
  - 56-TE
  - 57-CLKCTL
  - 58-SD0
  - 59-SWR
  - 60-SIORQ
  - 61-BuIORQ
  - 62-SuWREQ
  - 63-SBUSREQ
  - 64-SRFSH
  - 65-L GND
  - 66-SWAT
  - 67-L GND
  - 68-SWALT
  - 69-NOT USED
  - 70-+5
  - 71-L GND
  - 72-+5

\* USED ON VERSION W/PANNING  
 NOT USED ON VERSION W/PANNING

\*\* NOT USED ON VERSION W/PANNING  
 USED ON VERSION W/PANNING

NOTE

|                    |     |     |
|--------------------|-----|-----|
| ROM JUMPER OPTIONS | JW1 | JW2 |
| EPROM/ROM          |     | X   |
| 2532 COMPATIBILITY |     | X   |
| 2732 COMPATIBILITY |     | X   |



|                       |          |      |                 |    |      |
|-----------------------|----------|------|-----------------|----|------|
| PROJECT ENG. J. JARON | DESIGNER | DATE | REVISED         | BY | DATE |
|                       |          |      |                 |    |      |
| SCHEMATIC DRAWING     |          |      | PART NO.        |    |      |
| SUPER SOUND 1/2       |          |      | MO51-00986-F016 |    |      |
| A084-90913-F000       |          |      | MIDWAY MFG. CO. |    |      |



DESIGNATION LIST

DESIGNATION \* DESCRIPTION

|      |                |
|------|----------------|
| R117 | 560ohm 1/4W 5% |
| R118 | 150ohm 2W      |
| R201 | 270ohm 1/4W 5% |
| R202 | 1.2K 1/4W 5%   |
| R203 | 1.1M 1/4W 5%   |
| R204 | 3.3M 1/4W 5%   |
| R205 | 10M 1/4W 5%    |
| R206 | 100K 1/4W 5%   |
| R207 | 33K 1/4W 5%    |
| R208 | 2M 1/4W 5%     |
| R209 | 1M 1/4W 5%     |
| R210 | 1.2M 1/4W 5%   |
| R211 | 75K 1/4W 5%    |
| R212 | 75K 1/4W 5%    |
| R213 | 220K 1/4W 5%   |
| R214 | 3.9K 1/4W 5%   |
| R215 | 1.2K 1/4W 5%   |
| R216 | 82ohm 1W 10%   |
| R217 | 270ohm 1/4W 5% |
| R218 | 110K 1/4W 5%   |
| R219 | 68ohm 1/2W 5%  |

VR101,102 100ohm POT

|      |        |
|------|--------|
| D101 | A15F   |
| D102 | A15F   |
| D103 | A15F   |
| D104 | A15F   |
| D105 | A15F   |
| D106 | 1N4001 |
| D201 | 1N4148 |
| D202 | 1N4148 |
| D203 | 1N4148 |
| D204 | 1N4001 |
| D205 | 1N4001 |

|      |        |
|------|--------|
| Q102 | 2N2905 |
| Q105 | 2N2905 |
| Q201 | 2N4401 |

|    |           |
|----|-----------|
| U1 | LM305 REG |
| U2 | LM305 REG |
| U3 | LM3900    |
| U4 | 4N28      |
| U6 | 555       |

L101 22uH INDUCTOR

B101 BATTERY 3.6VDC 60DEG C

F1 3 RA S BLO FUSE

FC1A,1B FUSE CLIP

FB1,2 FERRITE BEAD

TW1 TIE WRAP

|    |                                |
|----|--------------------------------|
| J3 | 9PIN P.C. MOUNT CONN (MALE)    |
| J4 | 15PIN P.C. MOUNT CONN (FEMALE) |
| J5 | 15PIN P.C. MOUNT CONN (MALE)   |
| J6 | 3PIN P.C. MOUNT CONN (MALE)    |

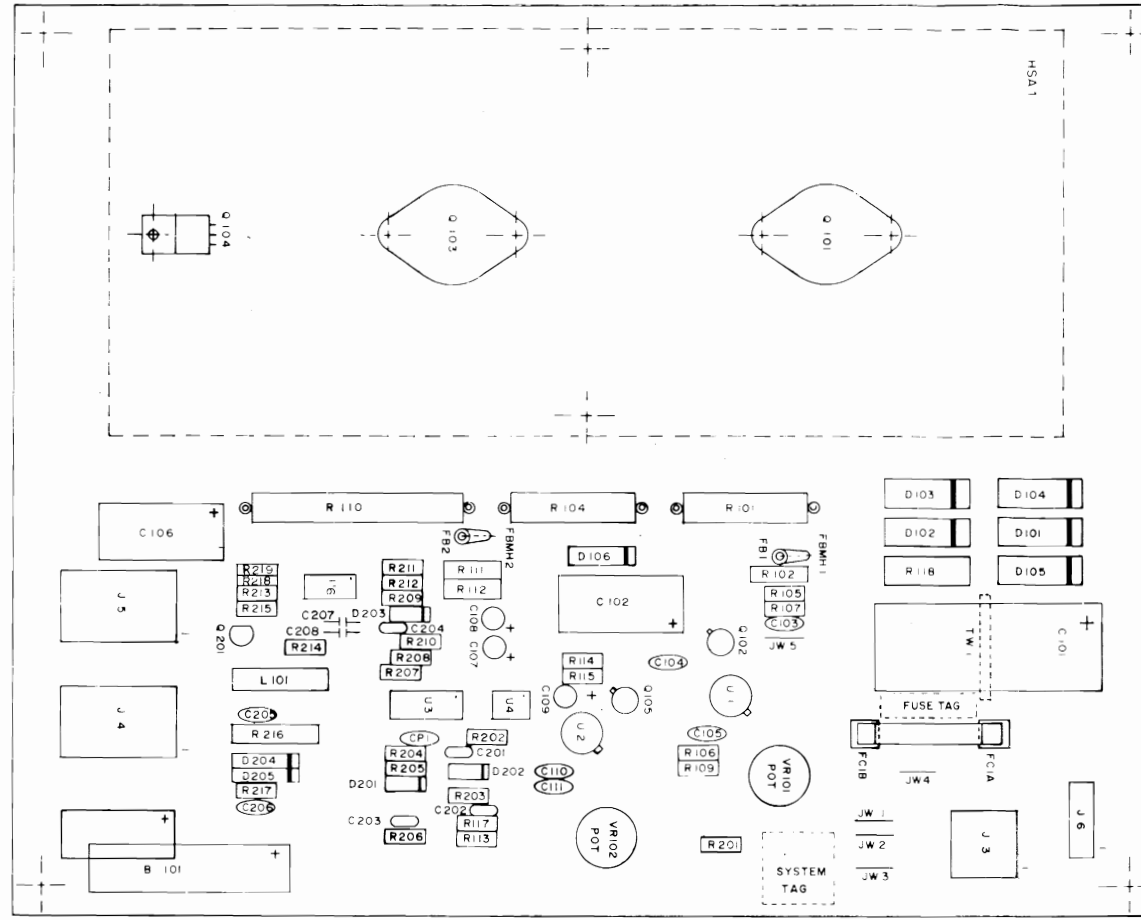
LB1 FUSE TAG  
LB2 SYSTEM TAG

HSA1 HEAT SINK ASS'Y 1

MHSA1 MOUNTING HARDWARE (HEAT SINK)  
2 SCREW  
4 WASHER  
2 HEXNUT

JW1-5 JUMPER WIRE

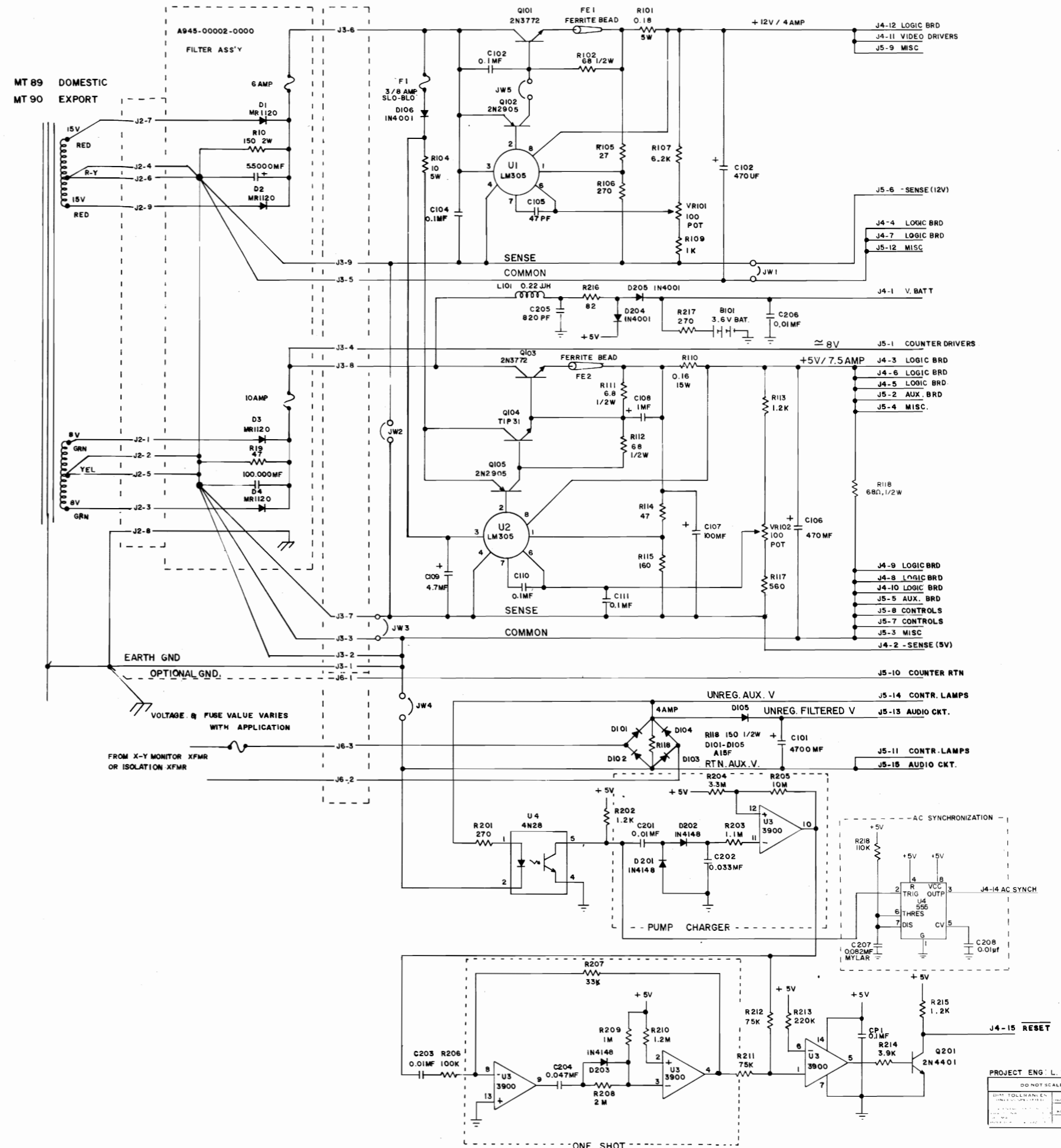
FBMH1,2 FERRITE BEAD MOUNTING HARDWARE



|                              |               |                     |                 |
|------------------------------|---------------|---------------------|-----------------|
| PROJ. ENG: L. DEKKER         |               | MIDWAY MFG. CO.     |                 |
| DO NOT SCALE DIMS            | DATE: 5/14/82 | FULL NO PERIOD PER. | FRANKLIN PK ILL |
| ASSEMBLY DRAWING I25VAPWRSPY |               | A082-90412-D000     |                 |
| 5/14/82                      |               | M051-00945-D006     |                 |

CROSS REFERENCE LIST

| DESCRIPTION                      | Qty | DESIGNATION *         | PART *           |
|----------------------------------|-----|-----------------------|------------------|
| 47pf AX. CER.                    | 1   | C105                  | 0945-00811-0100  |
| 820pf AX. CER.                   | 1   | C205                  | 0945-00816-0400  |
| 01uf AX. CER.                    | 2   | C206,208              | 0945-00816-0100  |
| 01uf MYLAR                       | 2   | C201,203              | 0945-00816-0200  |
| 033uf MYLAR                      | 1   | C202                  | 0945-00816-0500  |
| 047uf MYLAR                      | 1   | C204                  | 0945-00816-0300  |
| 0.082uf AX CER                   | 1   | C207                  | 0945-00816-1900  |
| 1uf AX CER                       | 5   | C103,104,110,111, CP1 | 0945-00811-0200  |
| 1uf RAD TANT                     | 1   | C108                  | 0945-00811-0300  |
| 4.7uf RAD. TANT                  | 1   | C109                  | 0945-00811-0400  |
| 100uf RAD. TANT                  | 1   | C107                  | 0945-00811-0500  |
| 470uf AX. ELECT.                 | 2   | C102,106              | 0945-00816-0600  |
| 470uf AX. ELECT.                 | 1   | C101                  | 0945-00811-0700  |
| .16ohm 15W 5%                    | 1   | R110                  | 0945-00815-0100  |
| .18ohm 5W 5%                     | 1   | R101                  | 0945-00815-0200  |
| 6.8ohm 1/2W 5%                   | 1   | R111                  | 0062-04703-1XXX  |
| 10ohm 5W 5%                      | 1   | R104                  | 0945-00812-0100  |
| 27ohm 1/4W 5%                    | 1   | R105                  | 0062-068B3-1XXX  |
| 47ohm 1/4W 5%                    | 1   | R114                  | 0062-086B3-1XXX  |
| 68ohm 1/2W 5%                    | 3   | R102,112,219          | 0062-098D3-1XXX  |
| 82ohm 1W 10%                     | 1   | R216                  | 0062-104F5-1XXX  |
| 150ohm 2W 5%                     | 1   | R118                  | 0945-00812-0200  |
| 160ohm 1/4W 5%                   | 1   | R115                  | 0062-124B3-1XXX  |
| 270ohm 1/4W 5%                   | 3   | R106,201,217          | 0062-138B3-1XXX  |
| 560ohm 1/4W 5%                   | 1   | R117                  | 0062-162B3-1XXX  |
| 1K 1/4W 5%                       | 1   | R109                  | 0062-179B3-1XXX  |
| 1.2K 1/4W 5%                     | 3   | R113,202,215          | 0062-183B3-1XXX  |
| 3.9K 1/4W 5%                     | 1   | R214                  | 0062-207B3-1XXX  |
| 6.2K 1/4W 5%                     | 1   | R107                  | 0062-217B3-1XXX  |
| 33K 1/4W 5%                      | 1   | R207                  | 0062-251B3-1XXX  |
| 75K 1/4W 5%                      | 2   | R211,212              | 0062-269B3-1XXX  |
| 100K 1/4W 5%                     | 1   | R206                  | 0062-275B3-1XXX  |
| 110K 1/4W 5%                     | 1   | R218                  | 0062-277B3-1XXX  |
| 220K 1/4W 5%                     | 1   | R213                  | 0062-291B3-1XXX  |
| 1M 1/4W 5%                       | 1   | R209                  | 0062-323B3-1XXX  |
| 1.1M 1/4W 5%                     | 1   | R203                  | 0062-325B3-1XXX  |
| 1.2M 1/4W 5%                     | 1   | R210                  | 0062-327B3-1XXX  |
| 2M 1/4W 5%                       | 1   | R208                  | 0062-337B3-1XXX  |
| 3.3M 1/4W 5%                     | 1   | R204                  | 0062-347B3-1XXX  |
| 10M 1/4W 5%                      | 1   | R205                  | 0062-371B3-1XXX  |
| 100ohm POT                       | 2   | VR101,102             | 0945-00814-0000  |
| LM305 REG                        | 2   | U1,2                  | 0945-00813-0100  |
| 555                              | 1   | U6                    | 0929-00810-4500  |
| LM3900                           | 1   | U3                    | 0945-00813-0200  |
| 4N28                             | 1   | U4                    | 0945-00813-0300  |
| A15F RECTIFIER                   | 5   | D101-105              | 0945-00804-0200  |
| 1N4001                           | 3   | D106,204,205          | 0945-00804-0300  |
| 1N4148                           | 3   | D201-203              | 0945-00804-0500  |
| 2N2905                           | 2   | Q102,105              | 0945-00808-0300  |
| 2N4401                           | 1   | Q201                  | 0945-00804-0400  |
| BATTERY 3.6VDC 60DEG-C           | 1   | B101                  | 0017-00003-0377  |
| FUSE 3/8A S-BLO                  | 1   | F1                    | 0945-00808-0400  |
| FUSE CLIP                        | 2   | FC1A,1B               | 0017-00003-0214  |
| TIE WRAP                         | 1   | TW1                   | 0945-00814-0300  |
| FERRITE BEAD                     | 2   | FB1,2                 | 0017-00009-0225  |
| FERRITE MOUNTING HDW             | 2   | FBMH1,2               | 0017-00033-0139  |
| 22uH INDUCTOR                    | 1   | L101                  | 0945-00814-0200  |
| FUSE TAG                         | 1   |                       | M051-00945-A004  |
| SYSTEM TAG                       | 1   |                       | M051-00945-A009  |
| P.C.B.                           | 1   |                       | A080-90412-U000  |
| HEAT SINK ASS'Y                  | 1   | HSA1                  | A945-00008-0000  |
| (SEE HS ASS'Y DRAWING "X" NOTE") |     |                       |                  |
| 4-40 X 10 SLT RND                | 2   | MHSA1A,2A             | 0017-00101-00727 |
| 4-40 HEX NUT                     | 2   | MHSA1E,2E             | 0017-00103-0002  |
| WSH 4-120-.250-018               | 4   | MHSA1B,1D             | 0017-00104-0071  |
| 3PIN P.C. MOUNT CONN. (MALE)     | 1   | J6                    | 0017-00021-0443  |
| 9PIN P.C. MOUNT CONN. (MALE)     | 1   | J3                    | 0017-00021-0425  |
| 15PIN P.C. MOUNT CONN. (FEMALE)  | 1   | J4                    | 0017-00021-0441  |
| 15PIN P.C. MOUNT CONN. (MALE)    | 1   | J5                    | 0017-00021-0440  |
| 22AWG T & R BARE 2.5"            | 5   | JW1-5                 | 0151-00087-0000  |



MT 89 DOMESTIC  
MT 90 EXPORT

A945-00002-0000  
FILTER ASS'Y

EARTH GND  
OPTIONAL GND.

VOLTAGE & FUSE VALUE VARIES  
WITH APPLICATION

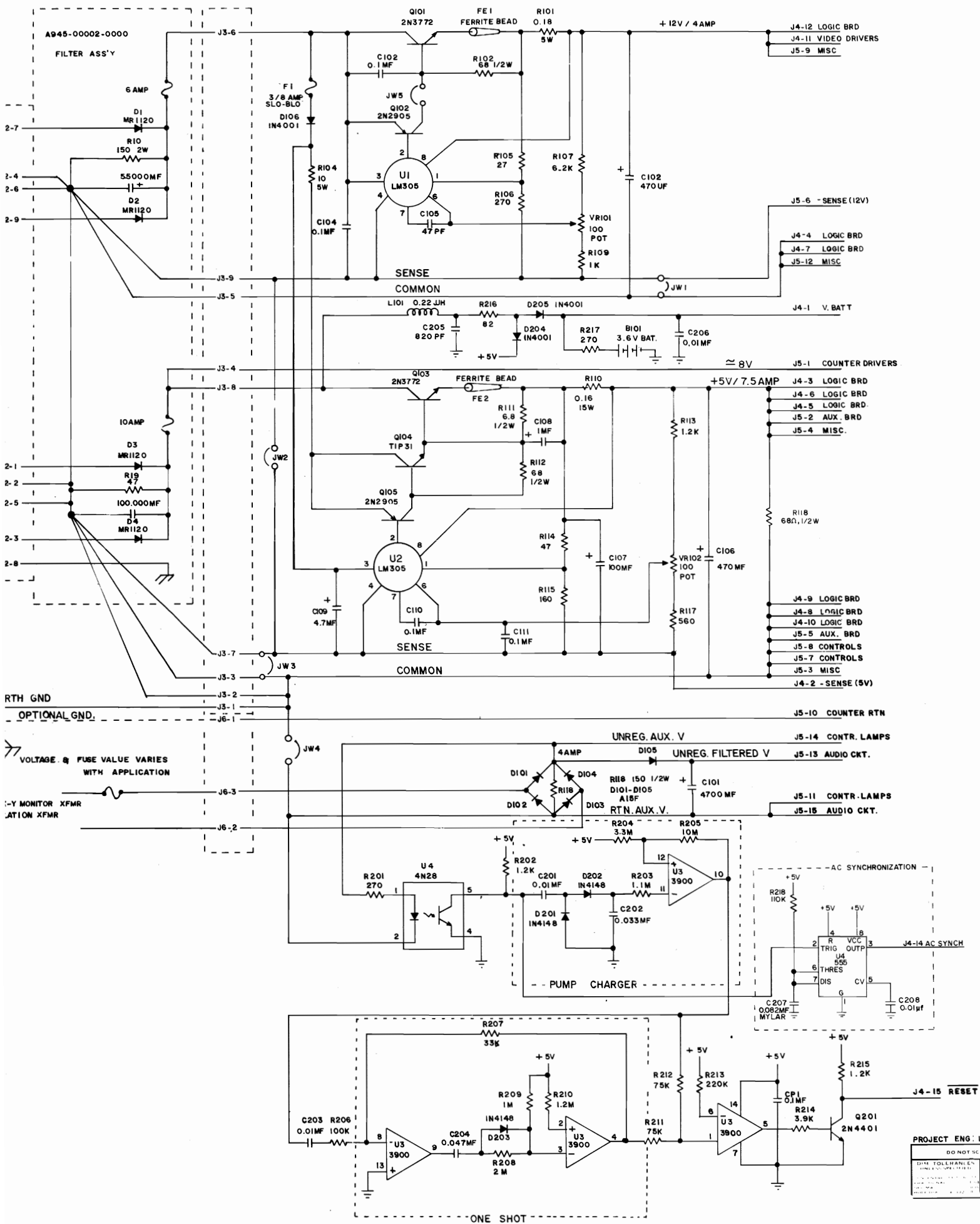
FROM X-Y MONITOR XFMR  
OR ISOLATION XFMR

PUMP CHARGER

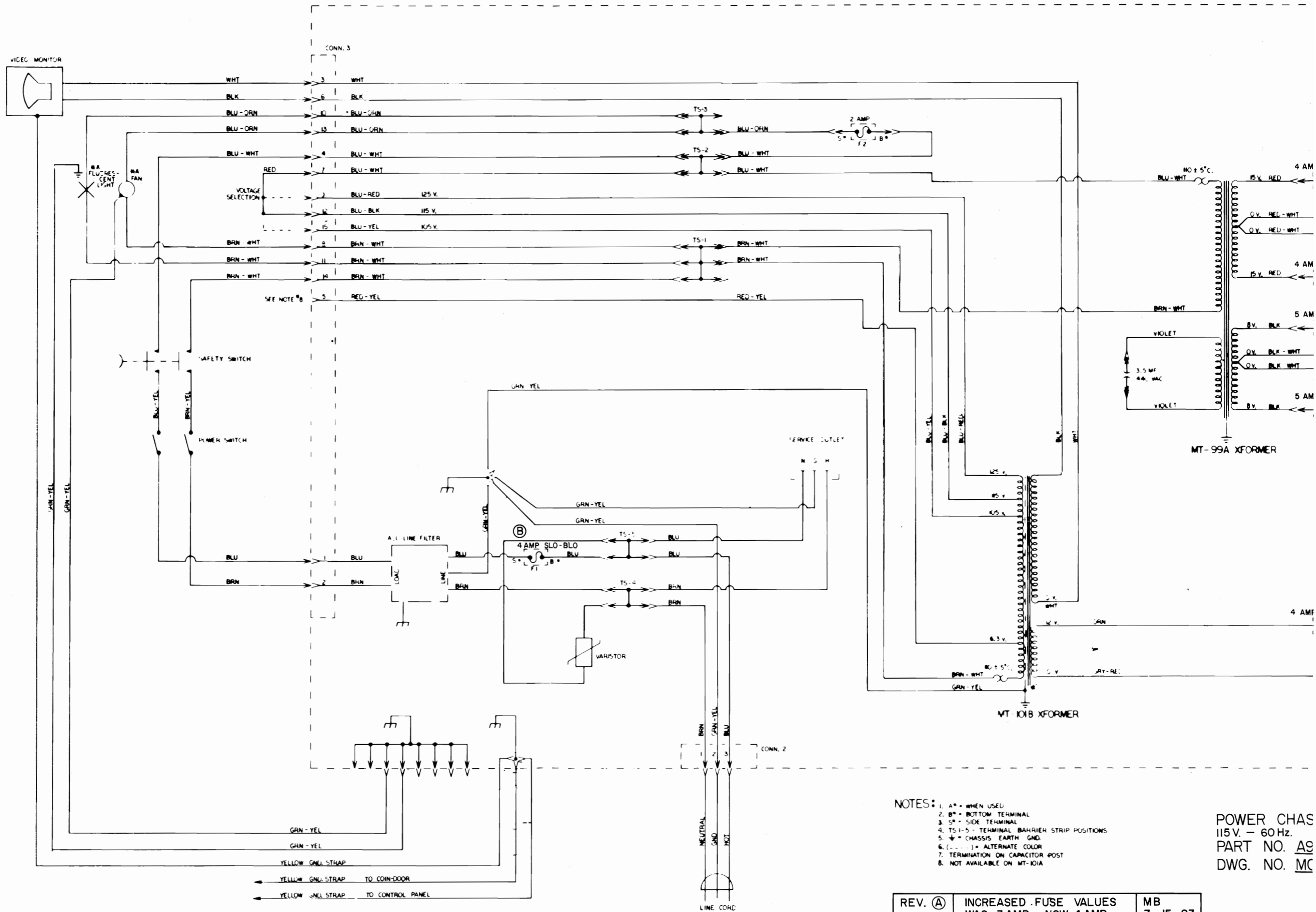
AC SYNCHRONIZATION

ONE SHOT

PROJECT ENG. L. DI  
DO NOT SCALE  
DIM. TOLERANCES  
UNLESS OTHERWISE SPECIFIED



|   |  |  |  |                   |  |
|---|--|--|--|-------------------|--|
| PROJECT ENG. L. DEKKER                  |  | USED BY SATAN/HOLLOW                             |  | MIDWAY MFG. CO.   |  |
| DO NOT SCALE DRG                        |  | FULL   |  | FRANKLIN PK. ILL. |  |
| DATE TOLERANCES: 1/16" UNLESS SPECIFIED |  | MATERIALS  |  | PART NO.          |  |
| 5/3/82                                  |  | POWER SUPPLY 125VA W/CKT SUPPORT A082-90412-0000 |  | M051-00945-D007   |  |



- NOTES:
- 1. A\* - WHEN USED
  - 2. B\* - BOTTOM TERMINAL
  - 3. S\* - SIDE TERMINAL
  - 4. TS 1-5 - TERMINAL BARRIER STRIP POSITIONS
  - 5. + - CHASSIS EARTH GND.
  - 6. (---) - ALTERNATE COLOR
  - 7. TERMINATION ON CAPACITOR POST
  - 8. NOT AVAILABLE ON MT-101A

POWER CHAS  
 115V. - 60Hz.  
 PART NO. A9  
 DWG. NO. MC

|          |  |               |
|----------|--|---------------|
| REV. (A) | INCREASED FUSE VALUES WAS 3 AMP - NOW 4 AMP<br>ADDED PART NO. (U.L.) | MB<br>3-15-83 |
| REV. (B) | INCREASED FUSE VALUE WAS 3 AMP - NOW 4 AMP                           | MB<br>3-24-83 |



| <b>JOURNEY</b>  |   |
|---|---|
| <b>OPTION SWITCH SETTINGS</b>   |   |
| <b>SWITCH NO. 1 - AT B 3 - LOCATED ON SOUND I/O P.C. BOARD</b>  |   |
| <b>DURING GAME PLAY:</b>  | <b>SW#1 SW#2 SW#3 SW#4 SW#5 SW#6 SW#7 SW#8 SW#9 SW#10</b> |
|   | NOT NOT NOT NOT NOT<br>USEDUSEDUSEDUSEDUSED               |
| 1 COIN METER<br>** 2 COIN METERS  | ON<br>OFF   |
| UPRIGHT/MINI<br>COCKTAIL TABLE  | ON<br>OFF   |
| ** GAME <b>MAY BE</b> CONTINUED<br>FOR ADDITIONAL COINS   | ON  |
| GAME <b>MAY NOT BE</b> CONTINUED  | OFF   |
| FREEZE VIDEO<br>** NORMAL OPERATION   | ON<br>OFF   |
| <b>SWITCH NO. 3 - AT D 14 - LOCATED ON SOUND I/O P.C. BOARD</b>   |   |
| ** NORMAL OPERATION<br>SOUND I/O DIAGNOSTIC MODE  | <b>SW#1 SW#2 SW#3 SW#4</b><br>OFF<br>ON                   |
| ** NORMAL OPERATION<br>RAM/ROM TEST<br>INDICATES TEST RESULTS VIA<br>YELLOW LED ON SOUND I/O<br>BOARD: <b>FAST FLASH = BAD ROM</b><br><b>SLOW FLASH = BAD RAM</b> | OFF<br>ON   |
| ** NORMAL OPERATION<br>OSCILLATOR TEST  | OFF<br>ON   |
| ** NORMAL OPERATION<br>FILTER TEST  | OFF<br>ON   |
| * NO EFFECT IF SW#1 OF SWITCH NO. 3 IS IN THE "OFF" POSITION.<br>** FACTORY RECOMMENDED SETTINGS.   |   |
| <b>PART NO.</b><br><b>M051-00358-A007</b>   |   |

THE REMAINDER OF YOUR NEW GAME'S MOST COMMON OPTION SETTINGS ARE CONDUCTED DURING THE **MACHINE SETUP** PORTION OF THE SELF-TEST MODE AND WILL BE COVERED IN DETAIL IN THAT SECTION OF YOUR MANUAL.

